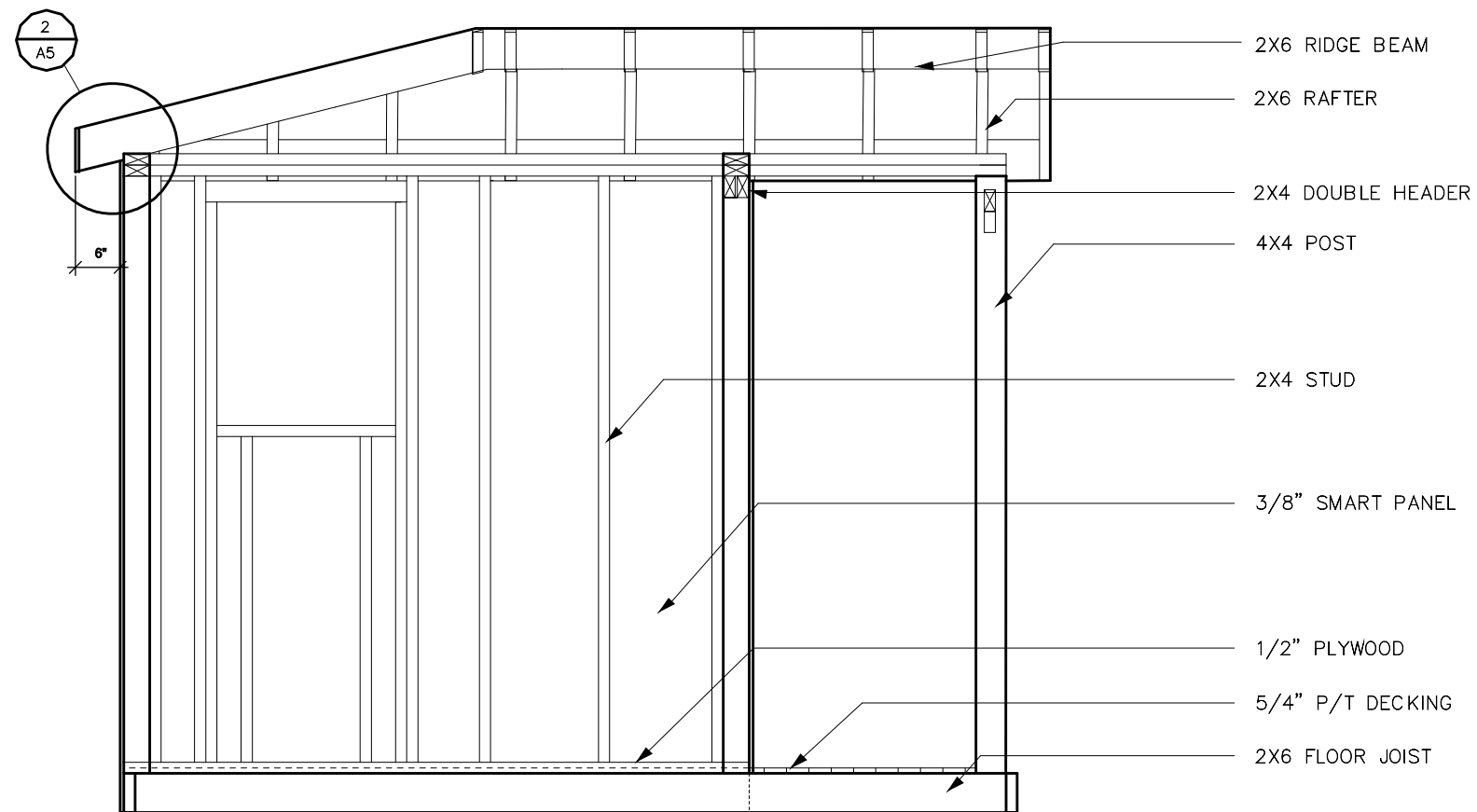


FLOOR PLAN

Scale: 1/2" = 1' - 0"

- NOTES:**
- STUDS, JOISTS & RAFTERS AT 16" CENTERS
 - 1/2" O.S.B. ON FLOOR & ROOF
 - 3/8" SMART PANEL ON WALLS
 - 2" X 6" PRESSURE TREATED FLOOR JOISTS
 - 3/4" X 6" FACIA BOARDS (BARN BOARD)
 - 2" X 6" RAFTERS, 2" X 6" RIDGE BOARD
 - 1" BIRDSMOUTH
 - 3/4" X 4" BARN BOARD CORNERS, WINDOW & DOOR TRIM
 - DRIP EDGE ON FACIA BOARDS
 - GABLE ENDS REQUIRE LADDER CONSTRUCTION
 - CONVENTIONAL FRAMING ON FRONT & BACK WALLS



SECTION 1-1

Scale: 1/2" = 1' - 0"



EXTERIOR PERSPECTIVE

Not to Scale



Courtesy Of:



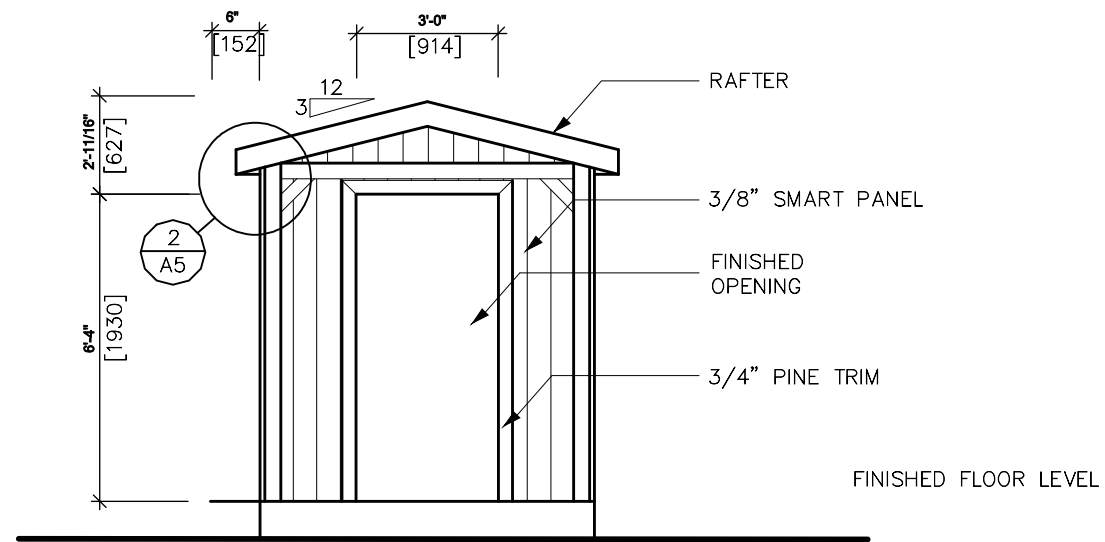
Cadsoft Corporation
727 Speedvale Ave W
Suite 3, Guelph, Ontario
Canada, N1K 1E6

Software Used:



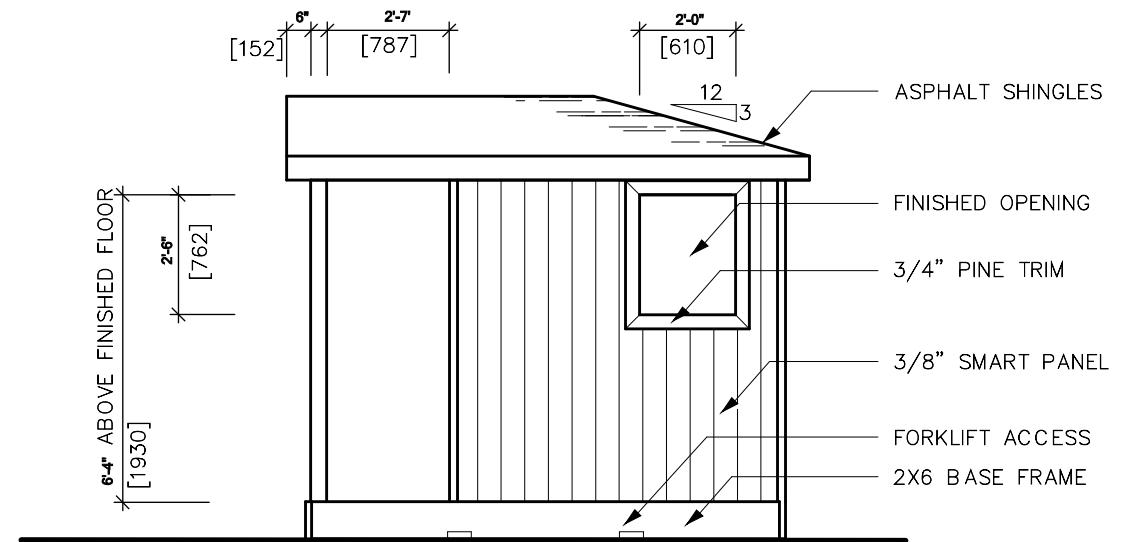
Drawn By:

MELISSA ISAAC
ARCHITECTURAL TECHNOLOGY STUDENT
CENTENNIAL COLLEGE
SCHOOL OF ENGINEERING AND
APPLIED SCIENCE



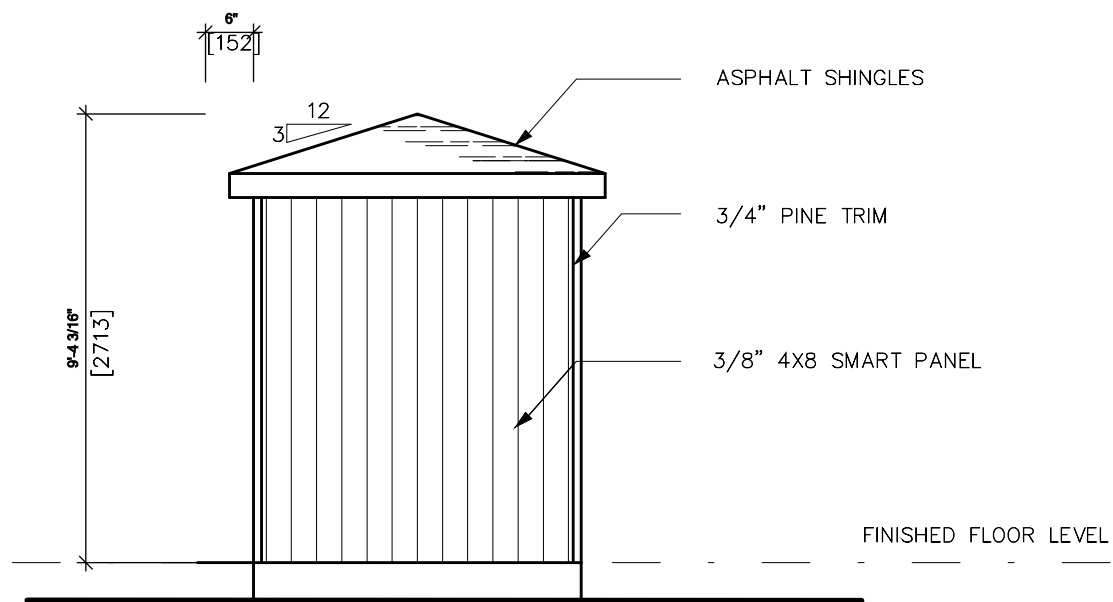
FRONT ELEVATION

Scale: 1/4" = 1' - 0"



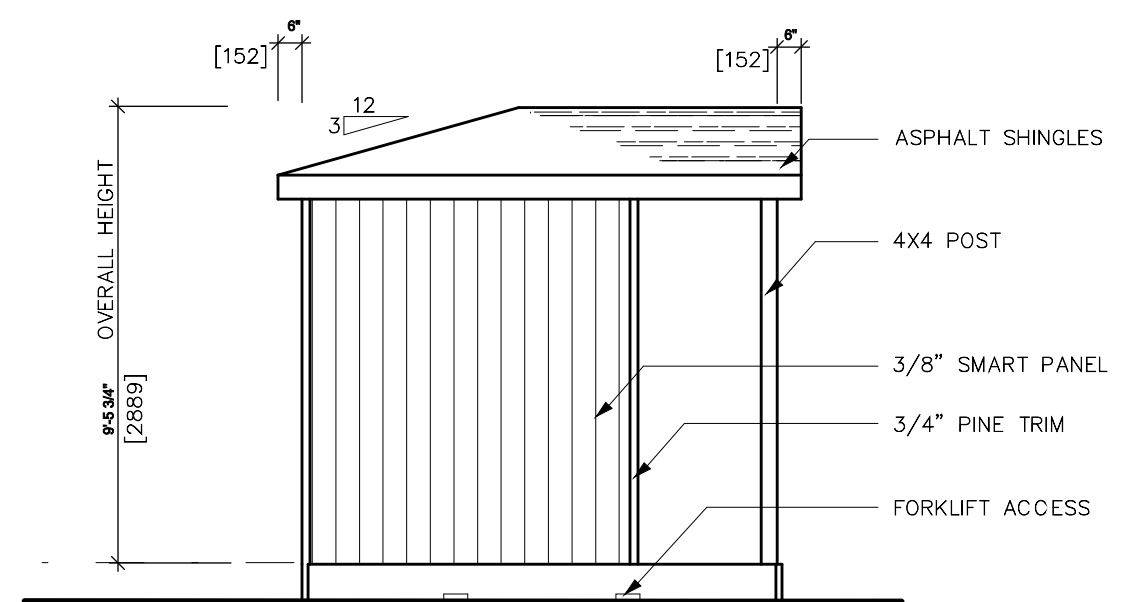
RIGHT ELEVATION

Scale: 1/4" = 1' - 0"



BACK ELEVATION

Scale: 1/4" = 1' - 0"



BACK ELEVATION

Scale: 1/4" = 1' - 0"

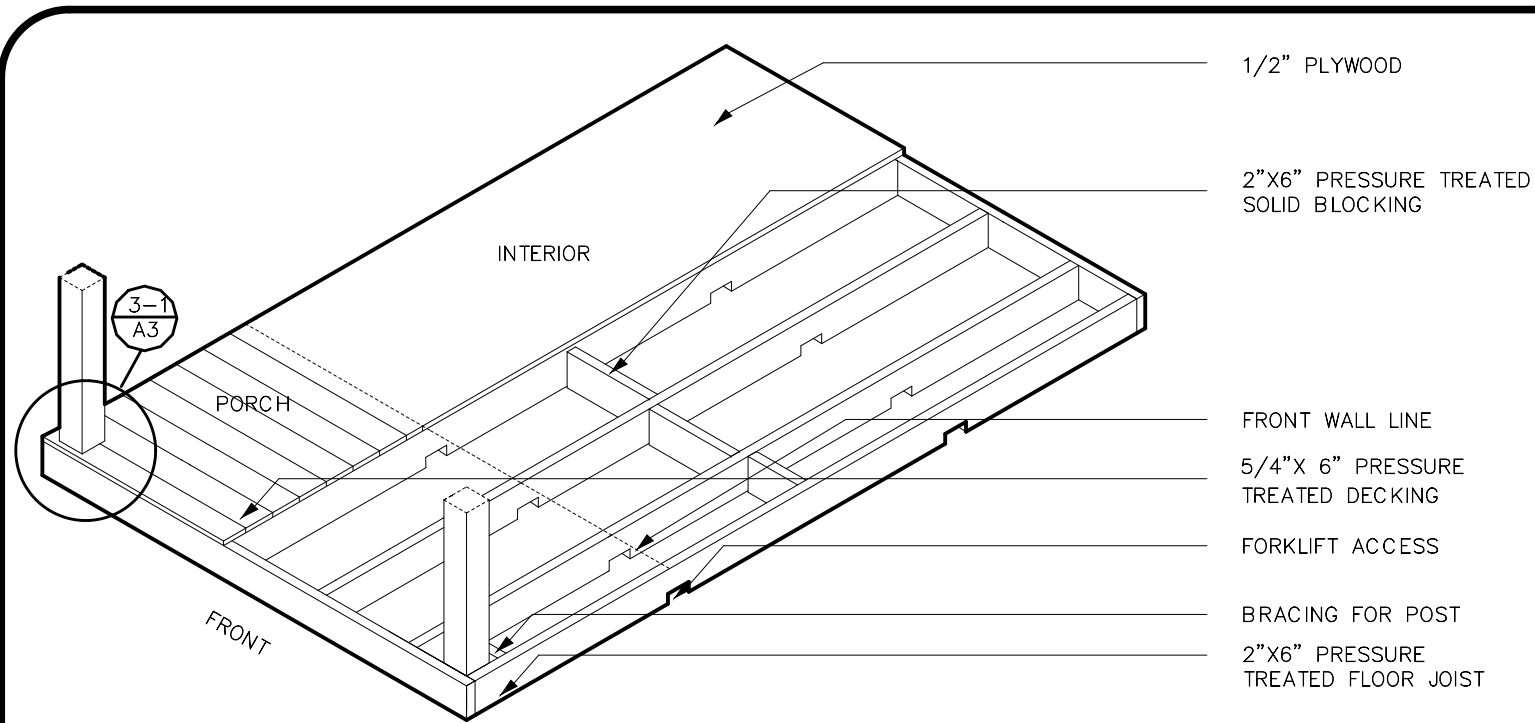
Drawn By: Melissa Isaac	Checked By:	Date: OCT. 2009	Sheet: A2
----------------------------	-------------	--------------------	--------------

Drawn For:



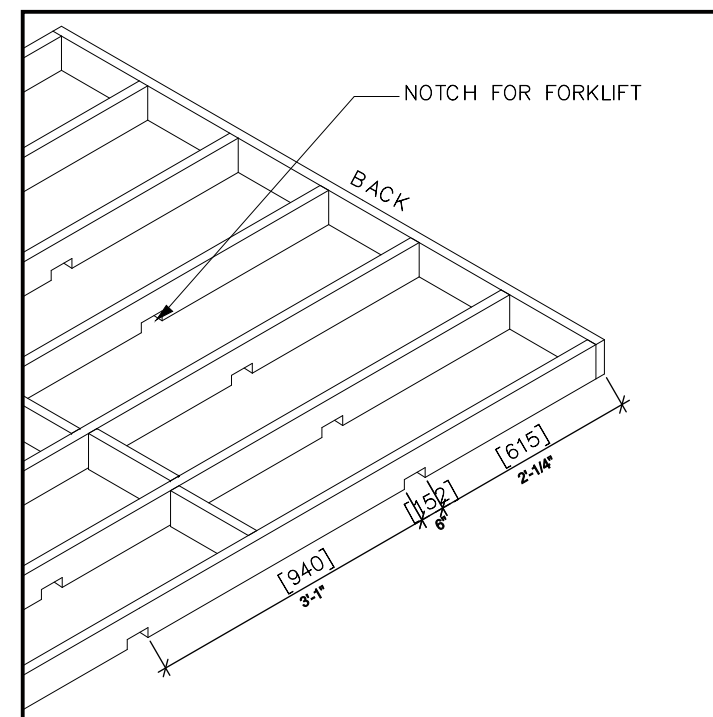
Courtesy Of:





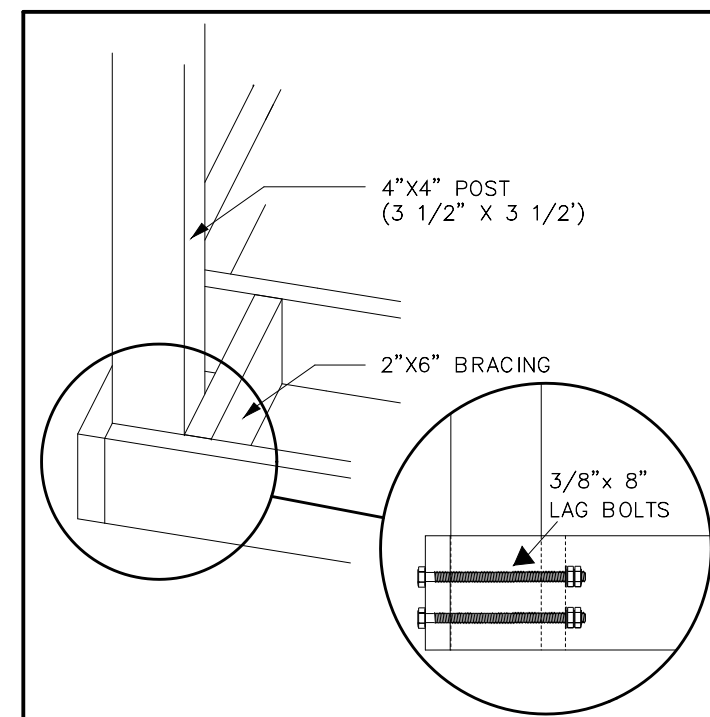
ISOMETRIC VIEW

Scale: 1/2" = 1' - 0"



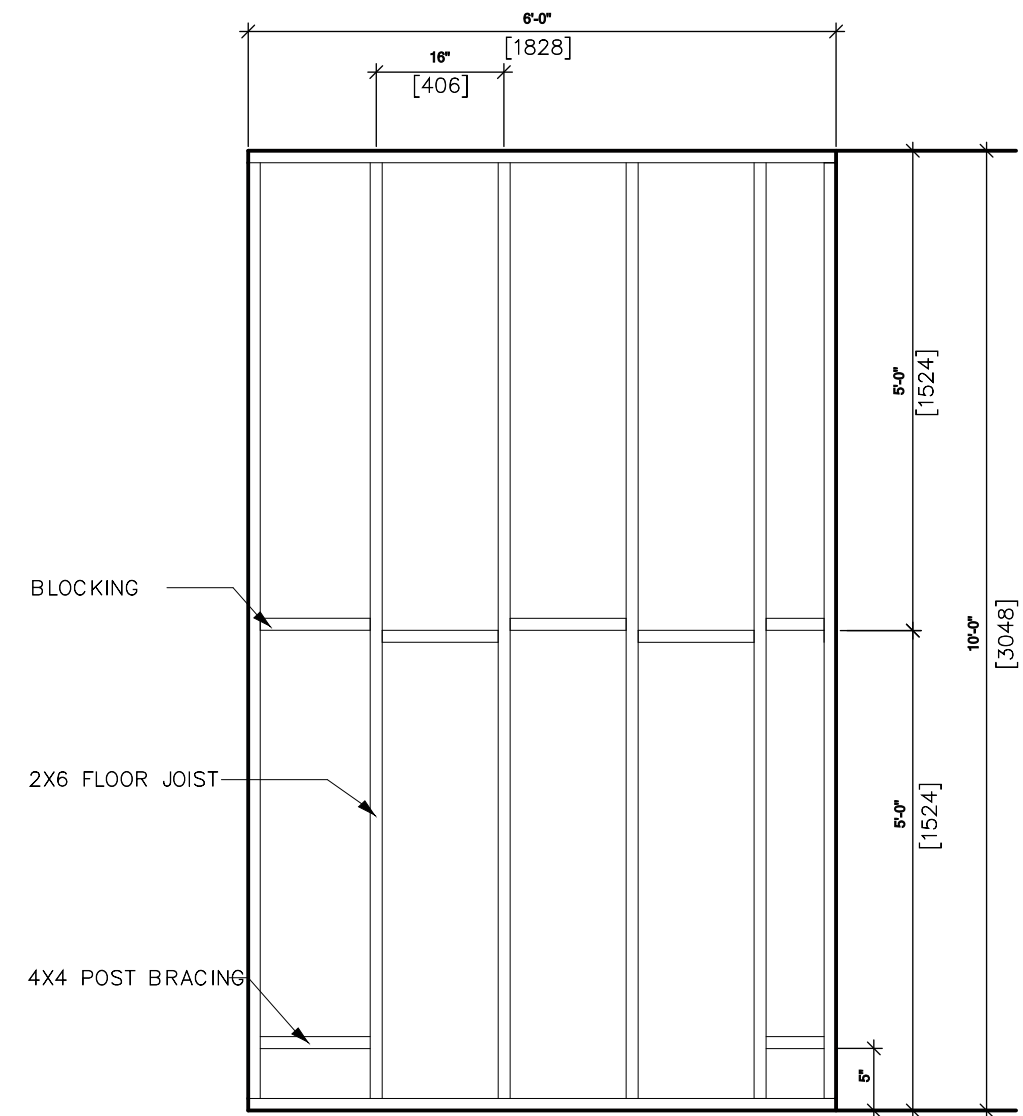
1 FORKLIFT ACCESS

Scale: 1/2" = 1' - 0"



2 TYP. POST BRACING

Scale: 1" = 1' - 0"



FLOOR FRAMING PLAN

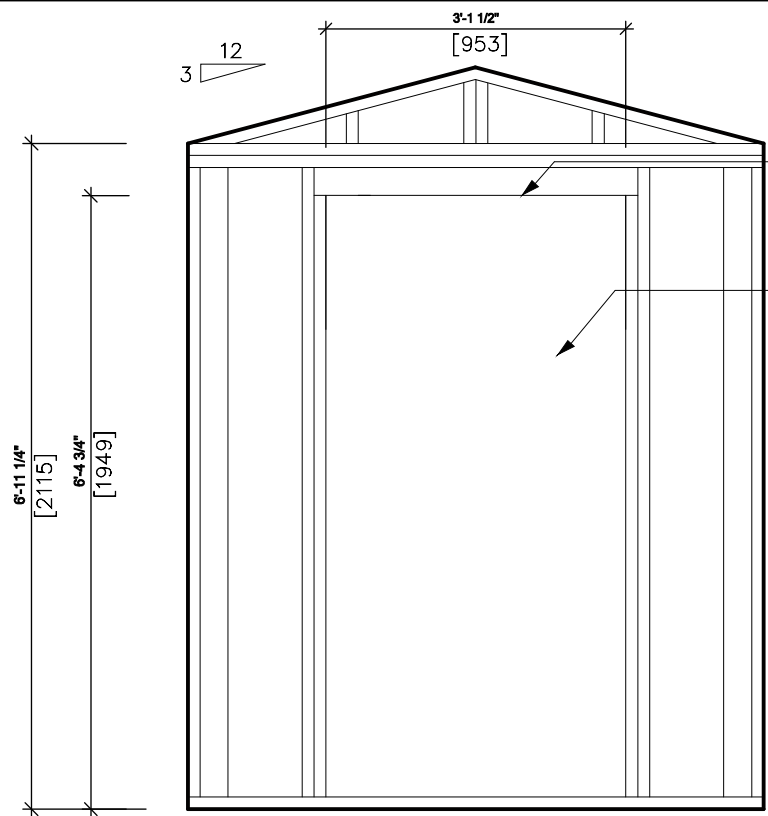
Scale: 1/2" = 1' - 0"

Drawn By: Melissa Isaac	Checked By:	Date: OCT. 2009	Sheet: A3
----------------------------	-------------	--------------------	--------------

Drawn For:

Courtesy Of:

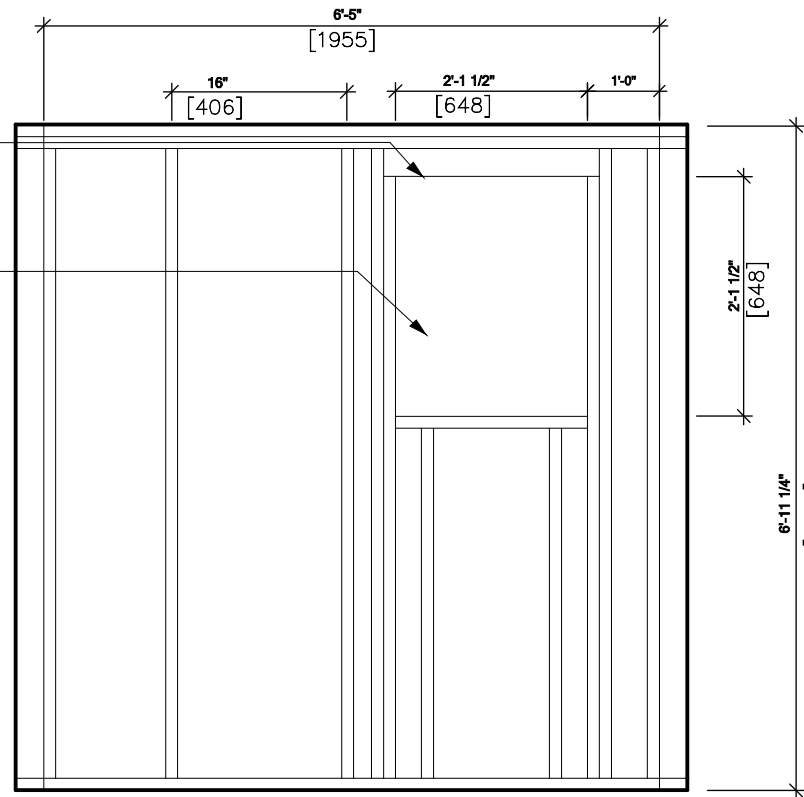




FRONT WALL PANEL

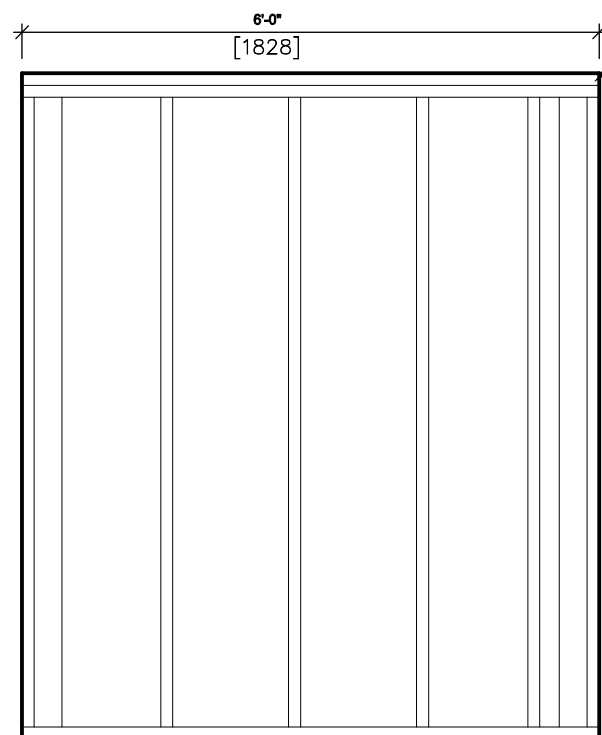
Scale: 1/2" = 1' - 0"

2X4 DOUBLE
HEADER
ROUGH
OPENING



RIGHT WALL PANEL

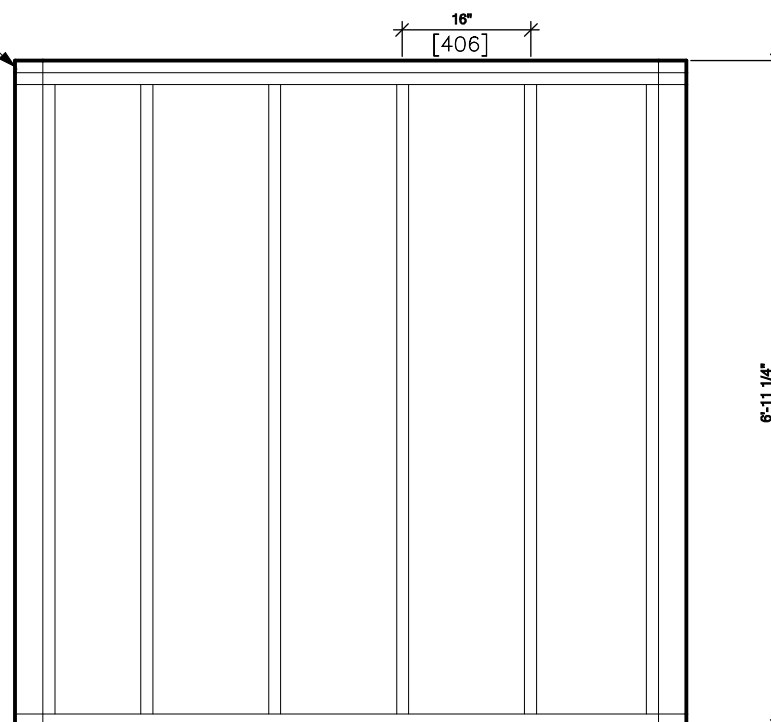
Scale: 1/2" = 1' - 0"



BACK WALL PANEL

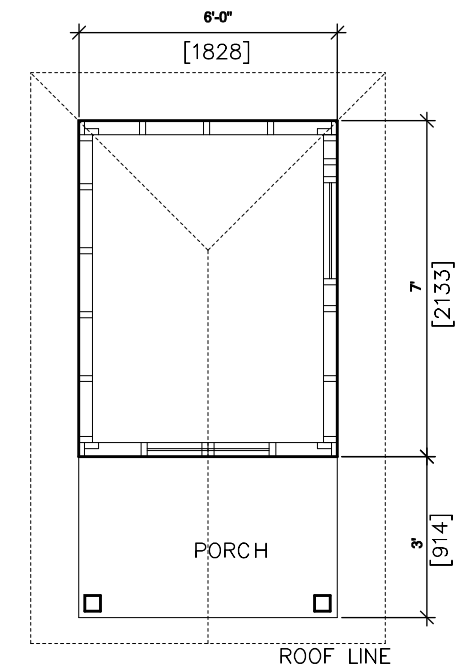
Scale: 1/2" = 1' - 0"

DOUBLE 2X4
TOP PLATE



LEFT WALL PANEL

Scale: 1/2" = 1' - 0"



KEY PLAN

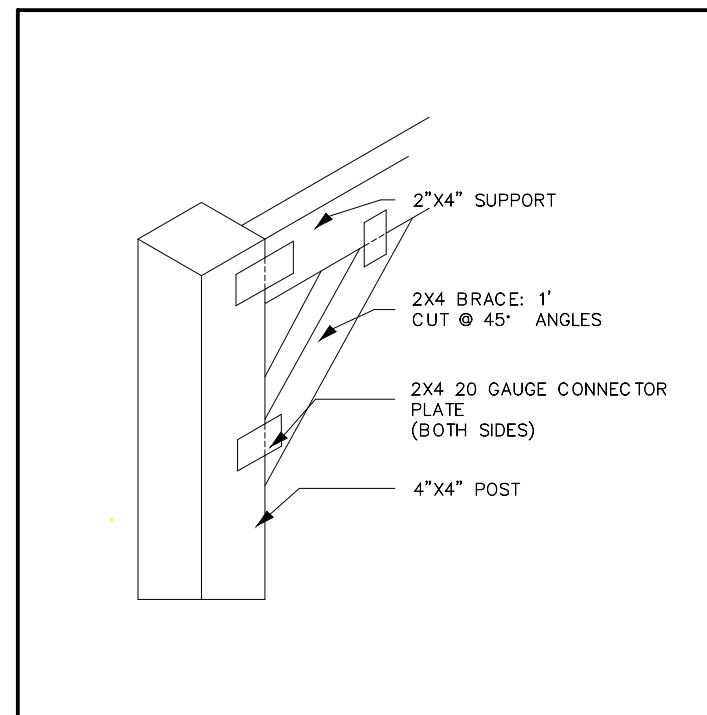
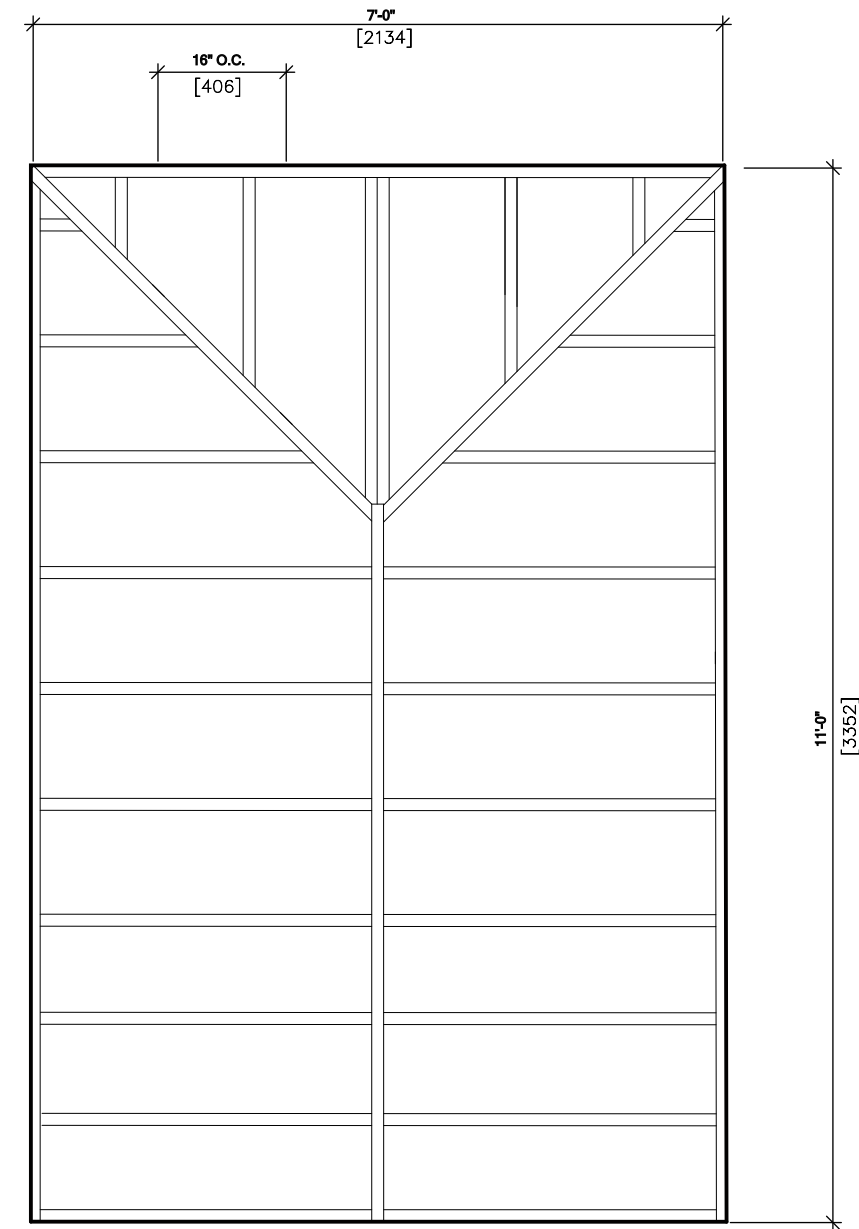
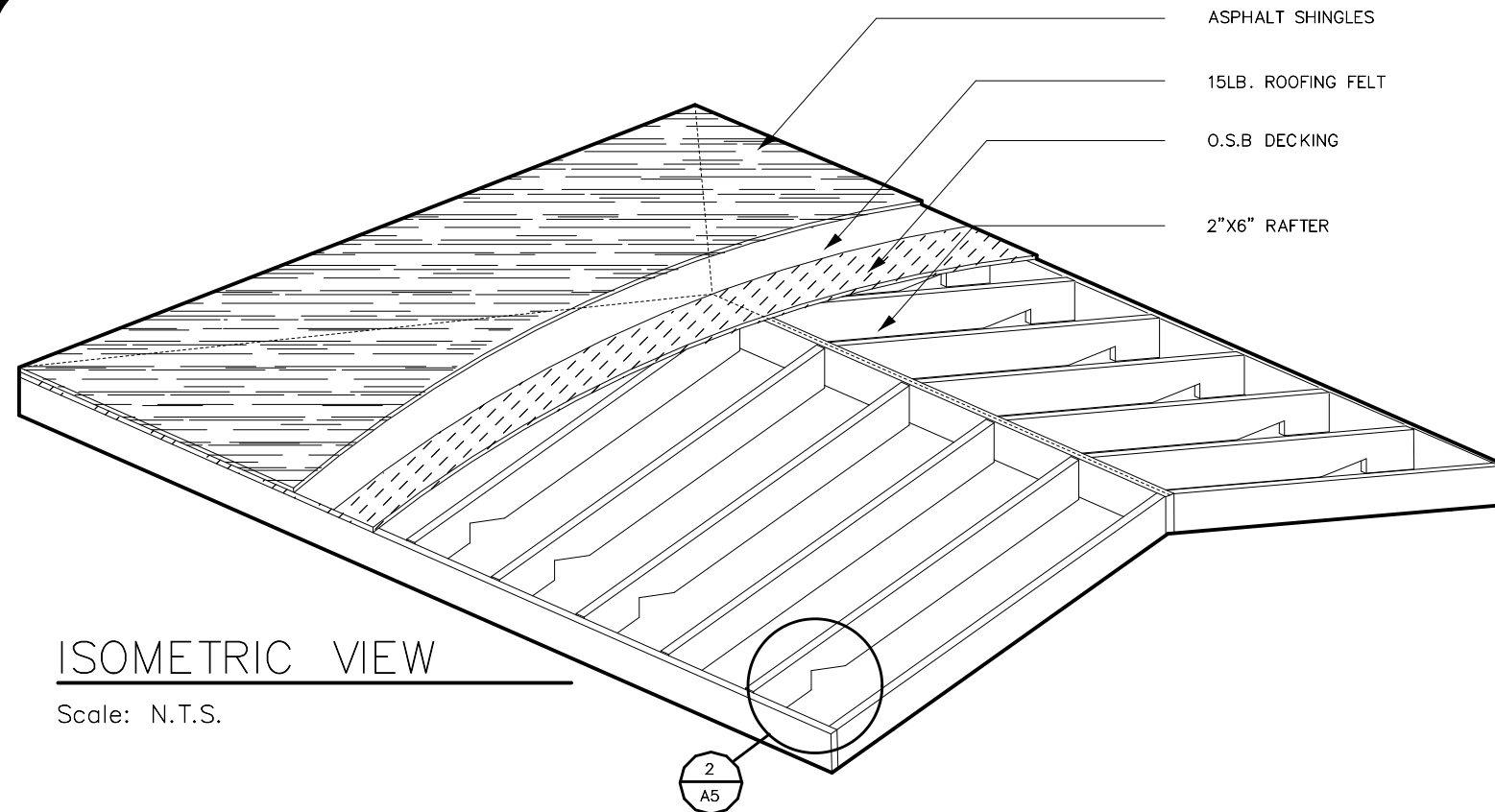
Scale: 1/4" = 1' - 0"

Drawn By: Melissa Isaac	Checked By:	Date: OCT. 2009	Sheet: A4
----------------------------	-------------	--------------------	--------------

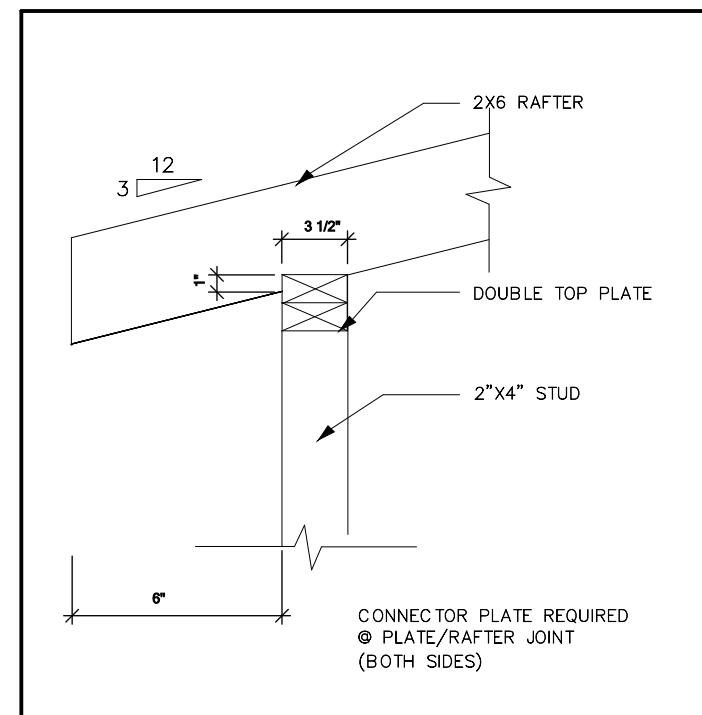
Drawn For:

Courtesy Of:





1 POST SUPPORT
Scale: 1" = 1' - 0"



2 TYP. BIRDSMOUTH
Scale: 1" = 1' - 0"

ROOF FRAMING

Scale: 1/2" = 1' - 0"

Drawn By: Melissa Isaac	Checked By:	Date: OCT. 2009	Sheet: A5
----------------------------	-------------	--------------------	--------------

Drawn For: Skills Competences Canada Ontario
Courtesy Of: **Cadsoft**