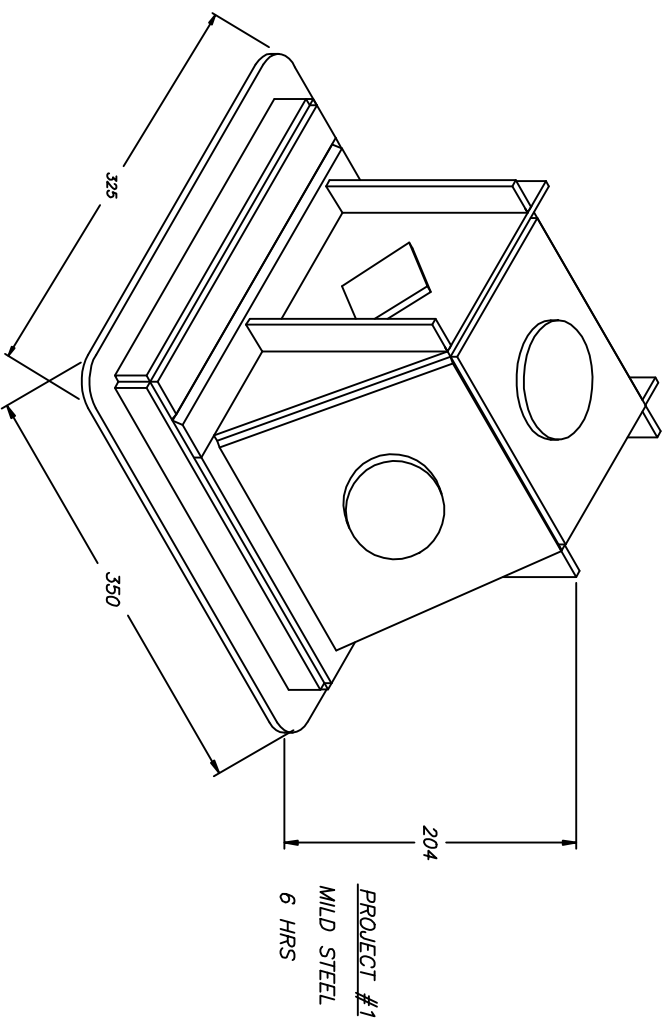




ONTARIO SKILLS COMPETITION 2010
WELDING PROJECT
 SECONDARY



THE TECHNICAL COMMITTEE RESERVES THE RIGHT TO MAKE
 CHANGES TO THE PROJECT

ALL DIMENSIONS IN MILLIMETRES

DO NOT SCALE DRAWING

 SKILLS COMPETENCES CANADA		 Consulting <small>kroisenbrunner@gmail.com</small>	
PART NAME: SKILLS ONTARIO – SECONDARY			
DESIGNED BY: Jason Wagg	SCALE: NONE	DATE: Jan. 15, 2010	DWG. NO.: OS-2010 Project
DRAWN BY: John Kroisenbrunner			