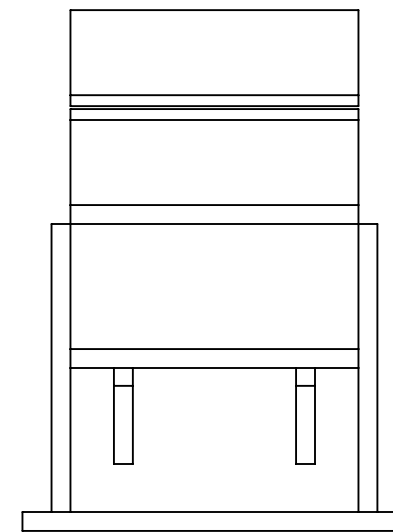
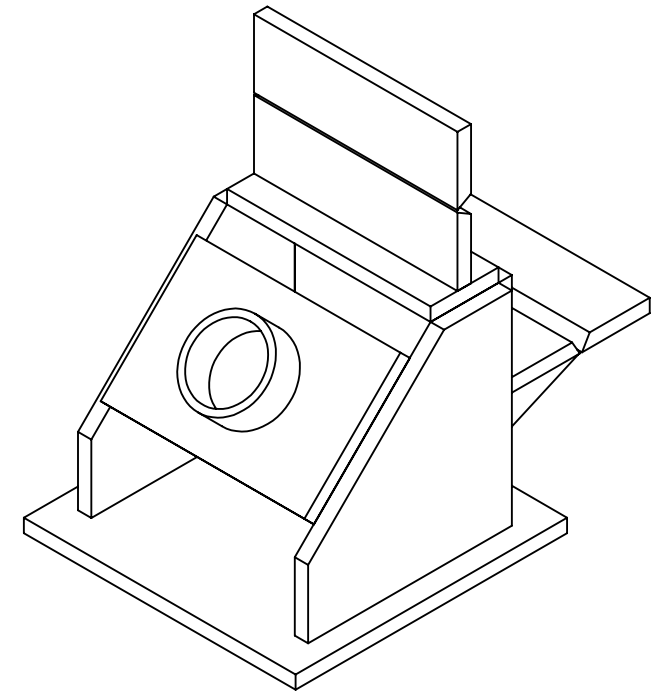
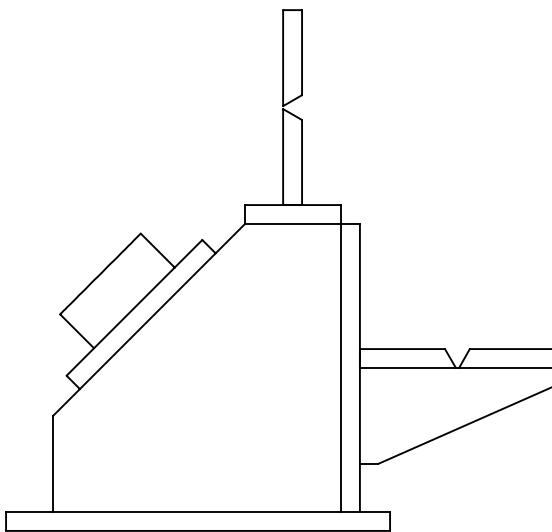
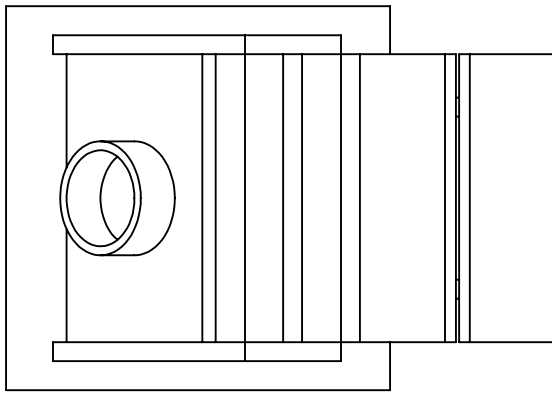
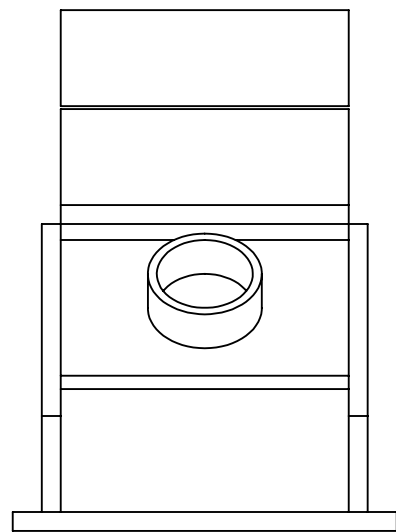

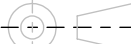


8 7 6 5 4 3 2 1

D
C
B
A

D
C
B
A



MATERIAL Mild Steel		 SkillsCompétences Canada Ontario	
CUSTOMER Skills Canada			
DRN SA	DATE 2/27/2018	WEIGHT lbs	DESCRIPTION Regional Skills Competition
CHK PB	SCALE 1:4	NEXT ASS'Y Provincial Skills Competition	
GENERAL SPECIFICATIONS UNLESS OTHERWISE NOTED >>BREAK ALL SHARP EDGES<< TOLERANCES: Fractions ±1/16 .00 ±.030 .000 ±.010 Angles ±1° Finish 125		DWG NO. Skills Regional Assembly DWG	
INTERPERET THIS DRAWING PER CURRENT VERSION OF ASME Y14 ENGINEERING DRAWING PRACTICE STANDARD  3RD ANGLE PROJECTION		B REV 0	

8 7 6 5 4 3 2 1