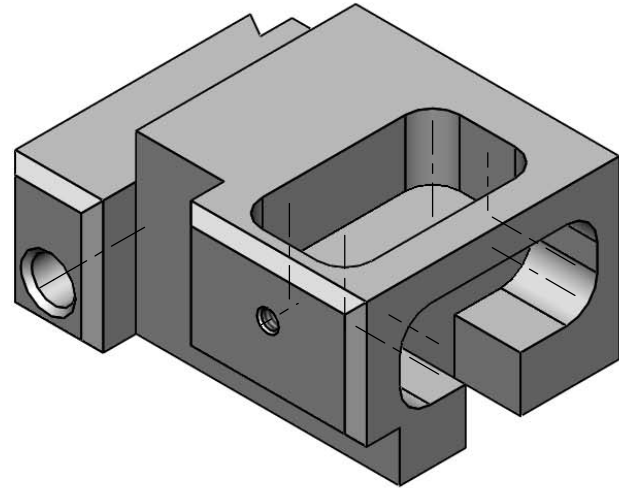
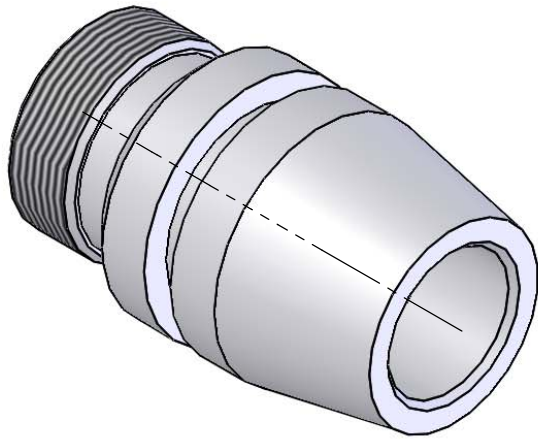
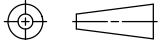



NOTES:
1.



UNLESS OTHERWISE SPECIFIED DO NOT SCALE DRAWING DIMENSIONS ARE IN INCHES TOLERANCES APPLY AS SHOWN BELOW 1 PL DEC 2 PL DEC 3 PL DEC ANGLES SURFACE ROUGHNESS THIRD ANGLE PROJECTION 	SolidWorks MAINTAINED DATA CHANGES SHALL BE INCORPORATED ELECTRONICALLY BY THE DESIGN ACTIVITY PROPRIETARY NO PART OF THIS DOCUMENT MAY BE REPRODUCED, STORED IN A RETRIEVAL SYSTEM, OR TRANSMITTED IN ANY FORM, WITHOUT THE WRITTEN PERMISSION OF Conestoga College	 CONESTOGA Connect Life and Learning 299 Doon Valley Drive, Kitchener, ON, N2G 4M4	
	CUSTOMER PROJECT DRAWN BY J.Oskam CHECKED BY M.E. APPROVED DATE DATE DATE	DATE 2018 DATE 2018 DATE 2018	TITLE 2018 Post Secondary & Secondary Precision Machining competition SIZE B SCALE N.T.S.