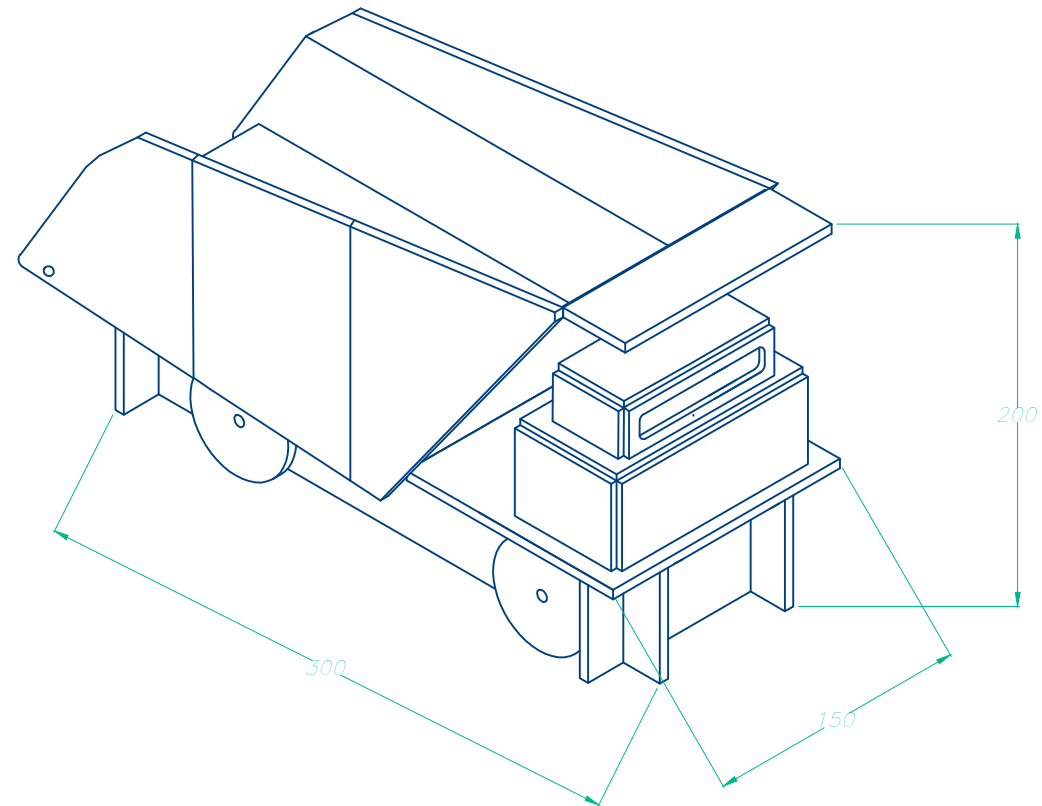
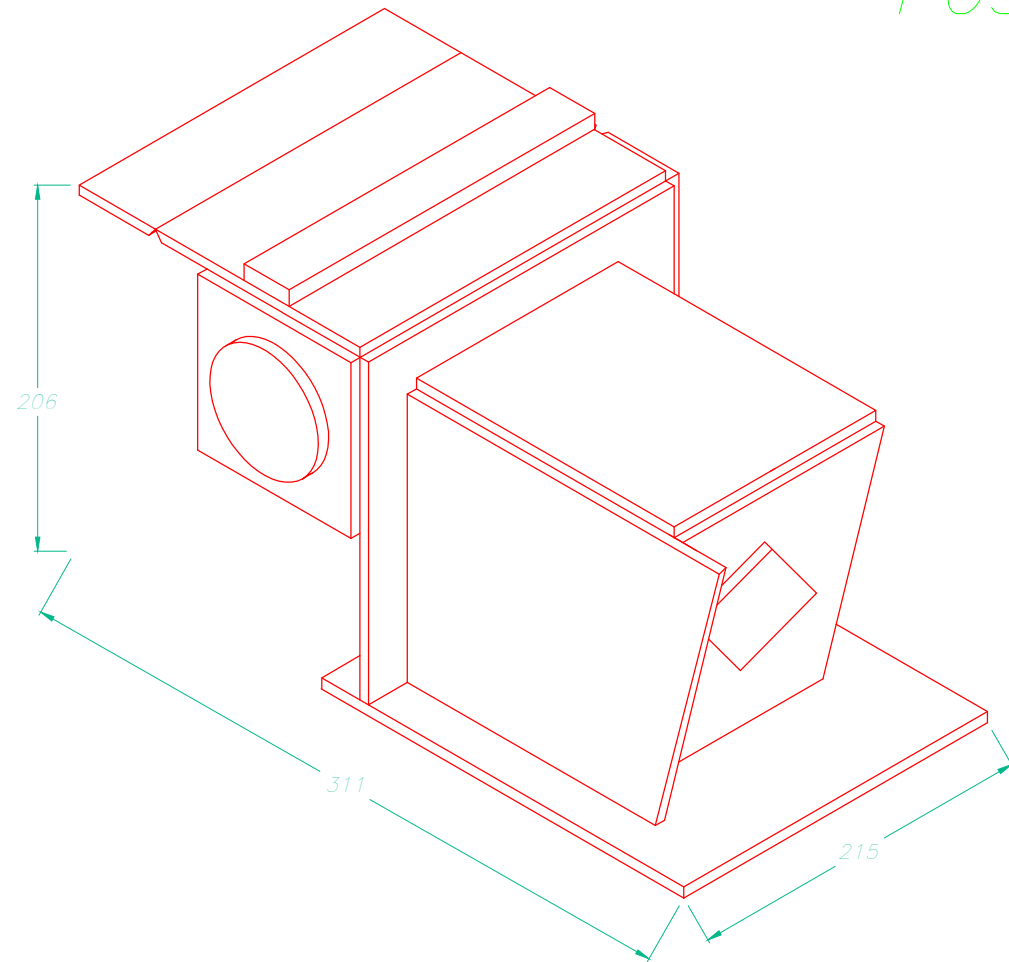


ONTARIO SKILLS COMPETITION 2018  
WELDING PROJECT  
 POST SECONDARY

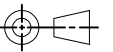


THE TECHNICAL COMMITTEE RESERVES THE RIGHT TO MAKE  
 CHANGES TO THE PROJECT

DO NOT SCALE DRAWING



ALL DIMENSIONS IN **MILLIMETRES**

PART NAME: <i>SKILLS ONTARIO –POST SECONDARY</i>		 DWG.NO.: <i>2018-OPS Project</i>
CHECKED BY: <i>Josh Hyde</i>	SCALE: <i>NONE</i>	
DRAWN BY: <i>Robbie Duncan</i>	DATE: <i>Dec. 31, 2016</i>	