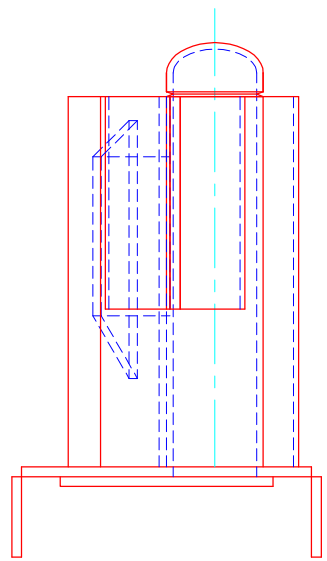
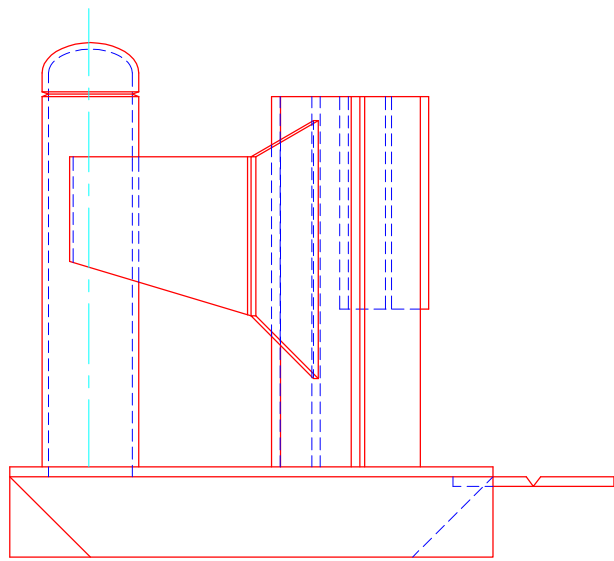
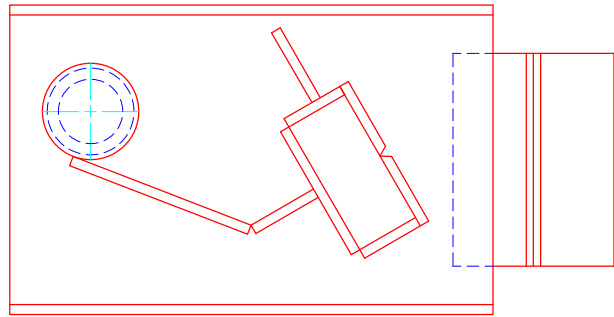


ONTARIO SKILLS COMPETITION 2018
WELDING PROJECT
 SECONDARY

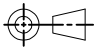


THE TECHNICAL COMMITTEE RESERVES THE RIGHT TO MAKE
 CHANGES TO THE PROJECT

DO NOT SCALE DRAWING



ALL DIMENSIONS IN **MILLIMETRES**

PART NAME: <i>SKILLS ONTARIO – SECONDARY</i>		
CHECKED BY:	SCALE: <i>NONE</i>	DWG.NO.:
DRAWN BY:	DATE: <i>Jan. 31, 2018</i>	<i>2018-S Project</i>