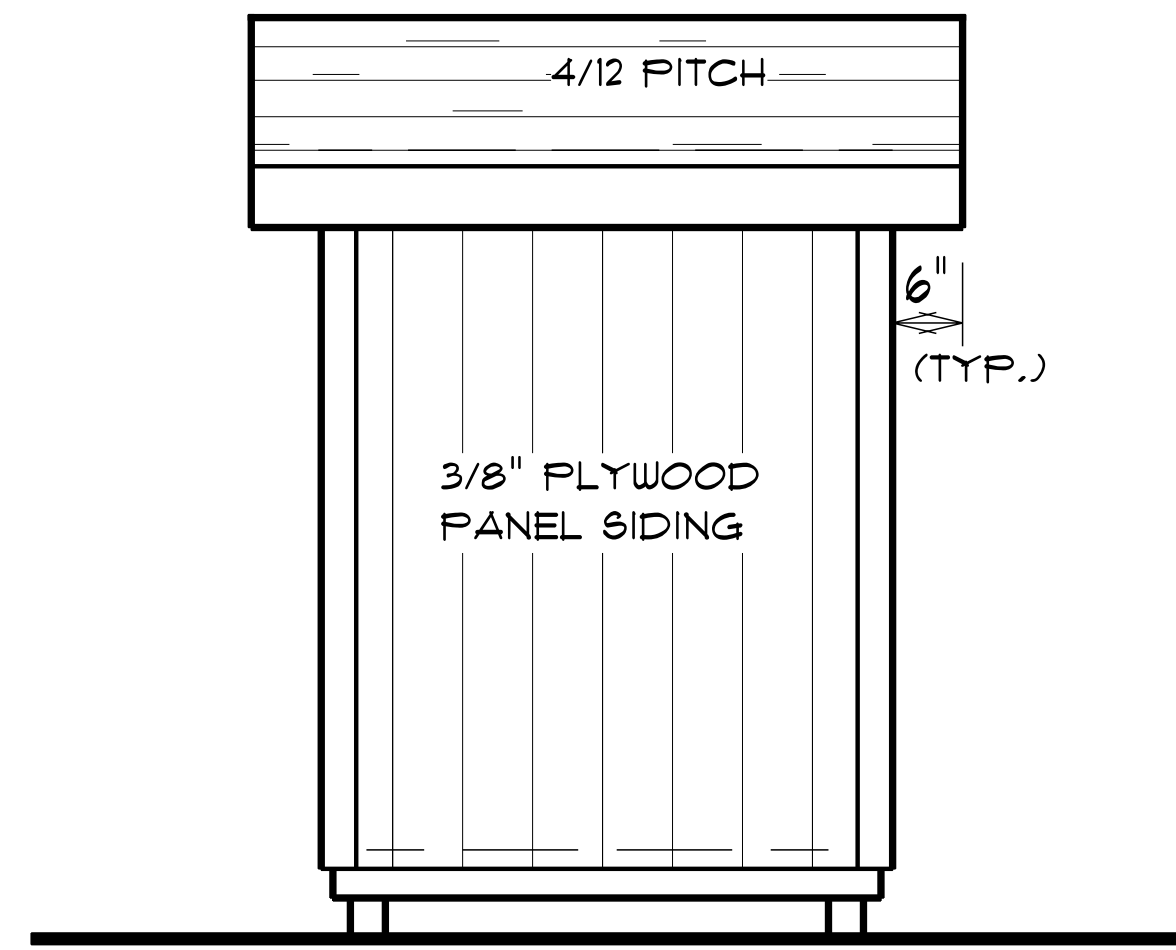
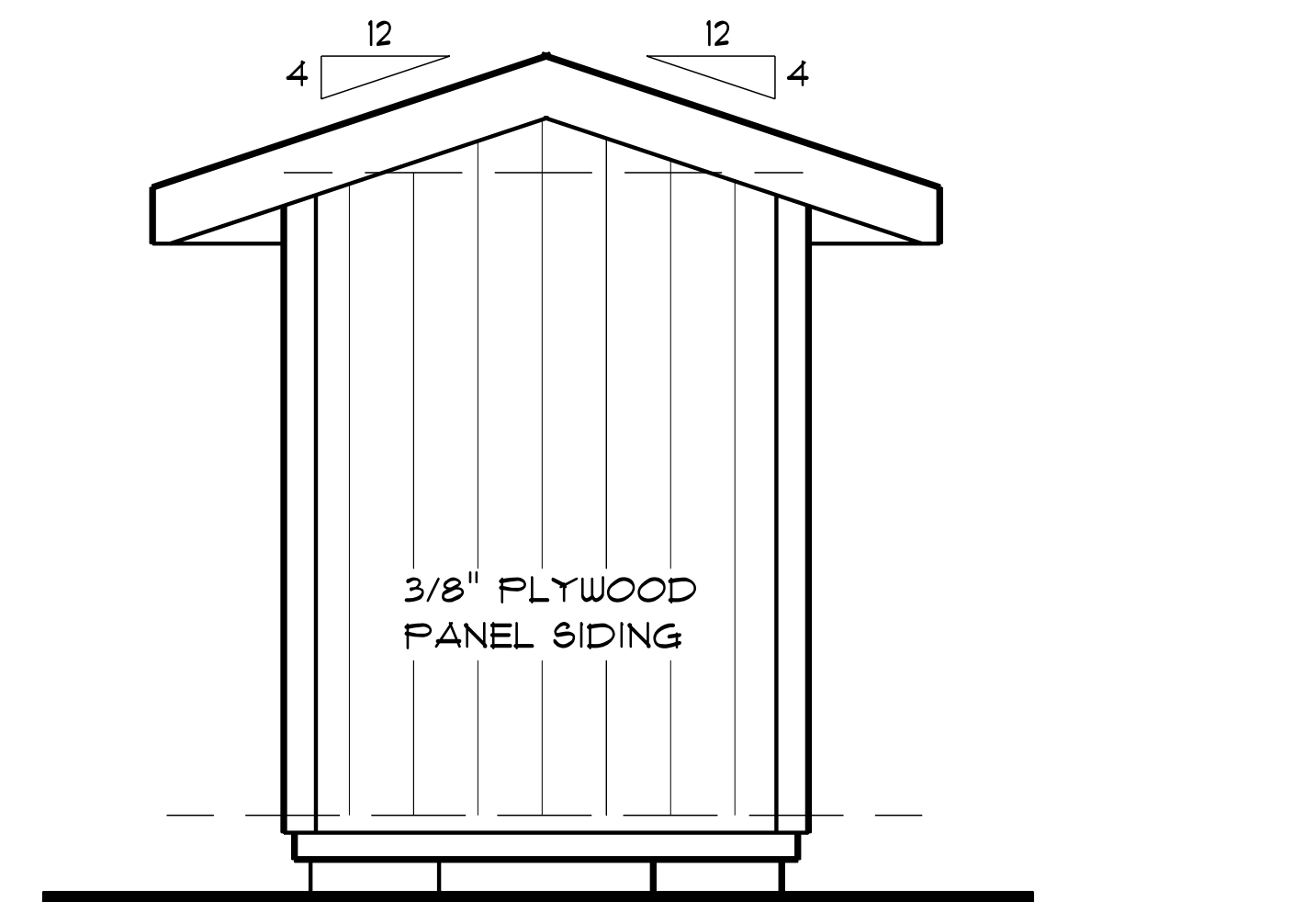
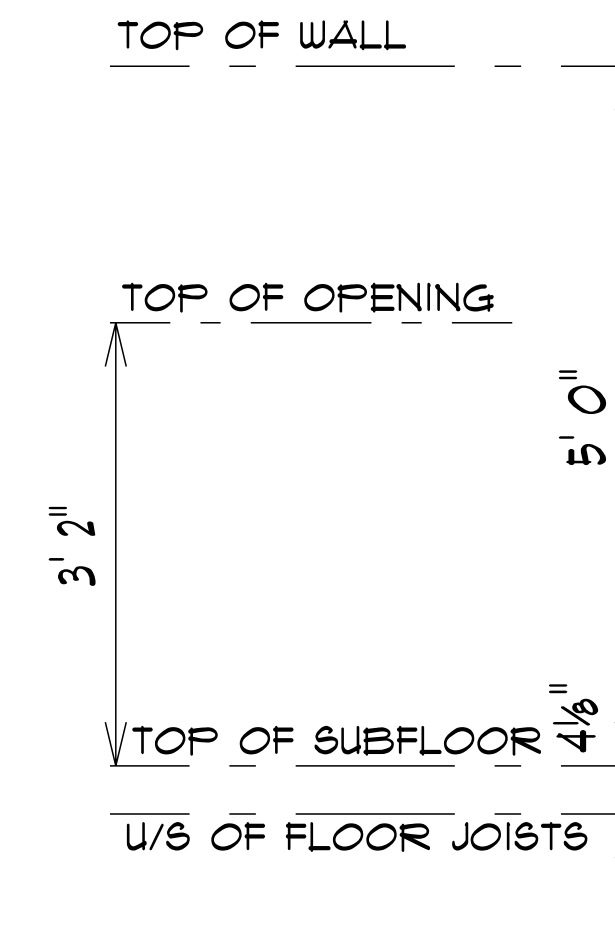


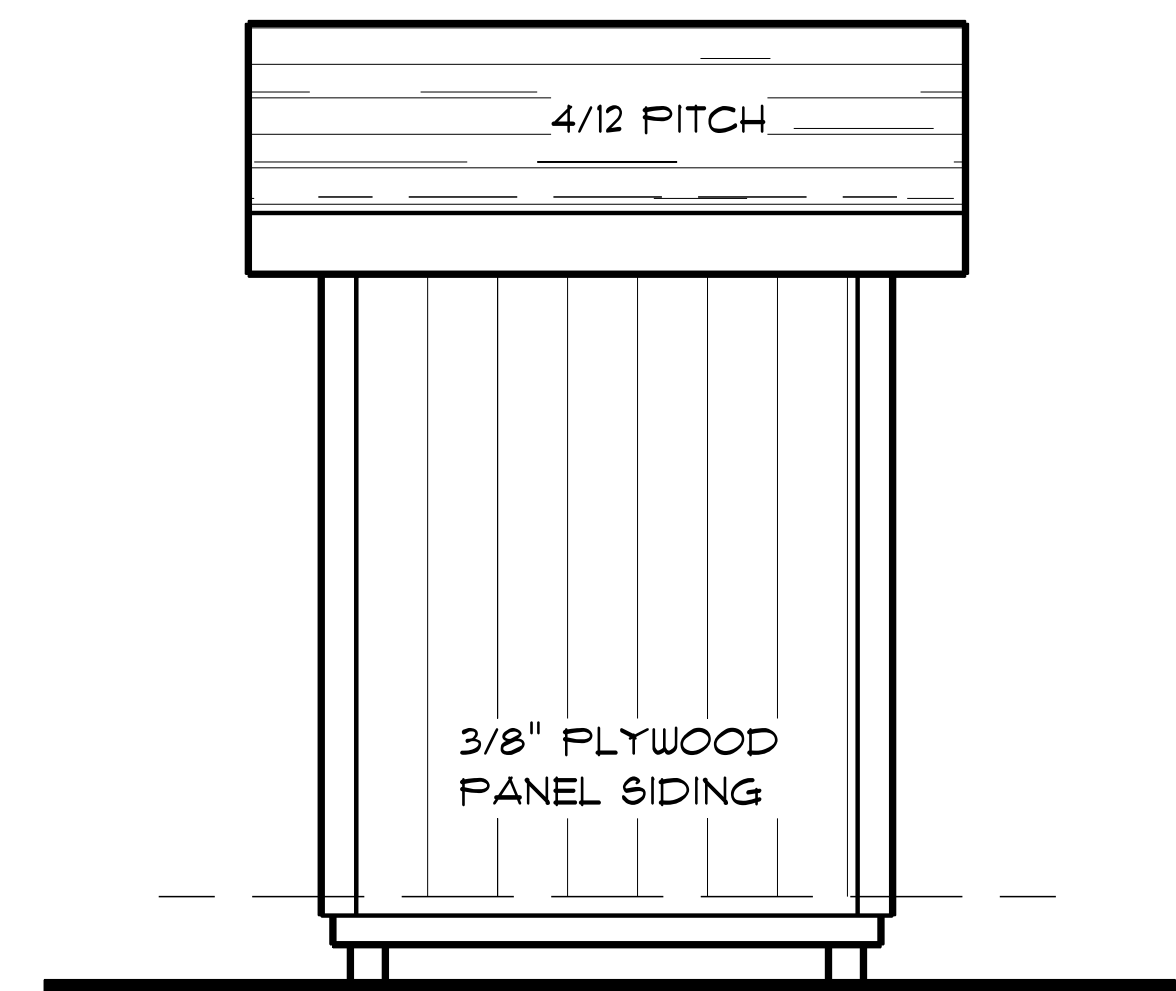
FRONT ELEVATION 1/4" = 1'0"
 December 23, 2021 J.N. 01:42 PM



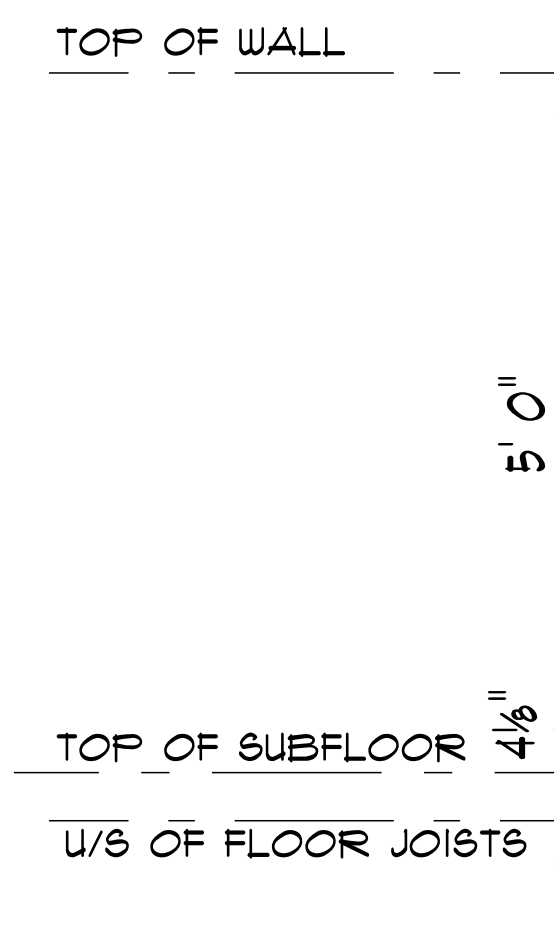
LEFT ELEVATION 1/4" = 1'0"
 December 23, 2021 J.N. 01:42 PM



REAR ELEVATION 1/4" = 1'0"
 December 23, 2021 J.N. 01:42 PM

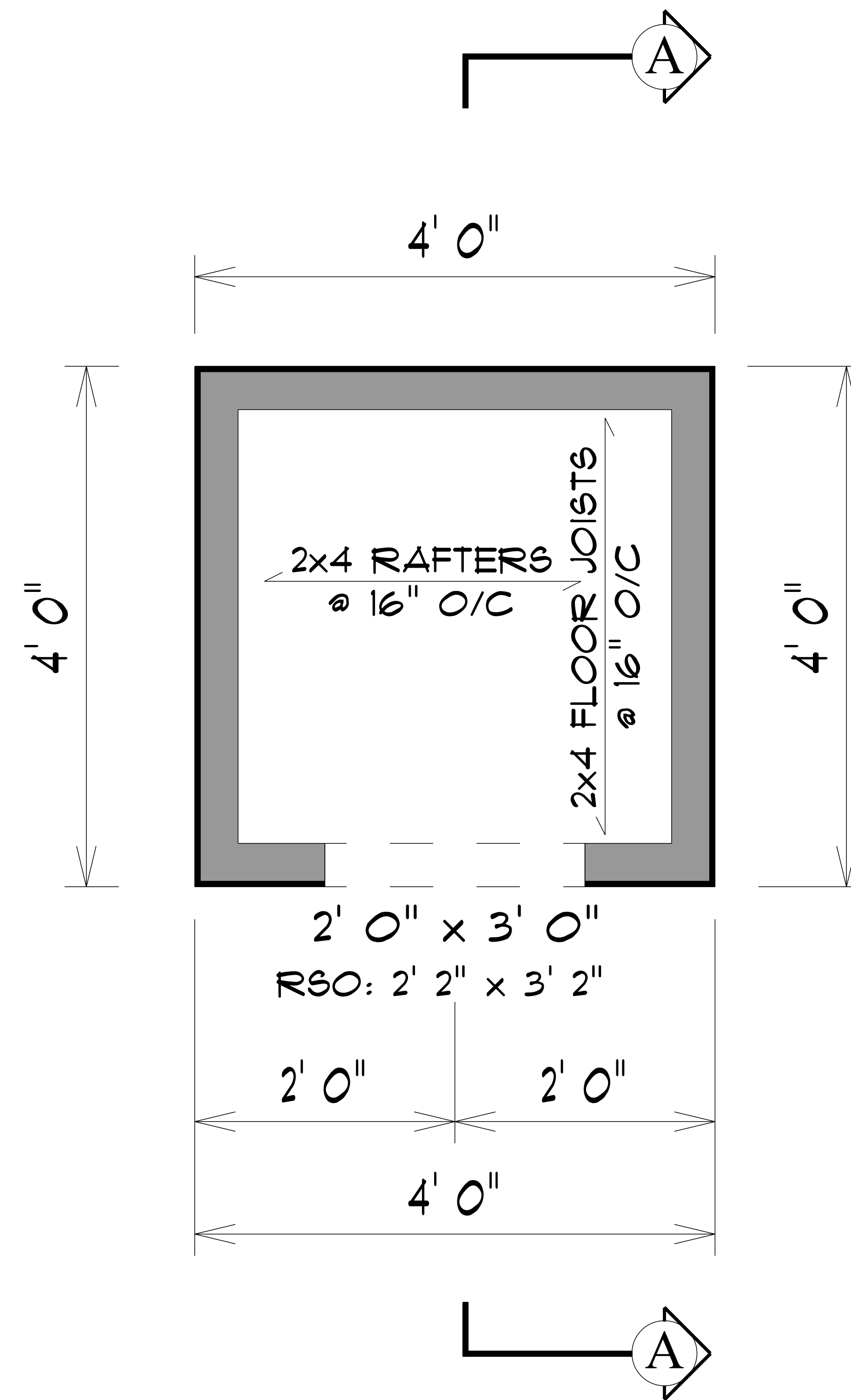


RIGHT ELEVATION 1/4" = 1'0"
 December 23, 2021 J.N. 01:42 PM



CONSTRUCTION NOTES

- EXTERIOR:
- 3/8" PLYWOOD PANEL SIDING
 - 3" TRIM @ CORNERS
 - 3" TRIM AROUND OPENING W/ MITRED CORNERS
 - ASPHALT SHINGLES
 - STARTER STRIP AND ALUMINUM DRIP EDGE
 - 1x6 FASCIA BOARD
 - 3/8" PLYWOOD SOFFIT
 - CORNICE TO BE FLUSH WITH FACE OF WALL @ GABLE ENDS



CONSTRUCTION NOTES

FLOOR SYSTEM:

- 2x4 P.T. FLOOR JOISTS @ 16" O/C
- 5/8 TONGUE & GROOVE SUBFLOORING

WALLS:

- 2x4 STUDS @ 16" O/C
- 2-2x6 LMITELS ABOVE OPENINGS
- 2x4 BOTTOM PLATE
- 2-2x4 TOP PLATE

ROOF:

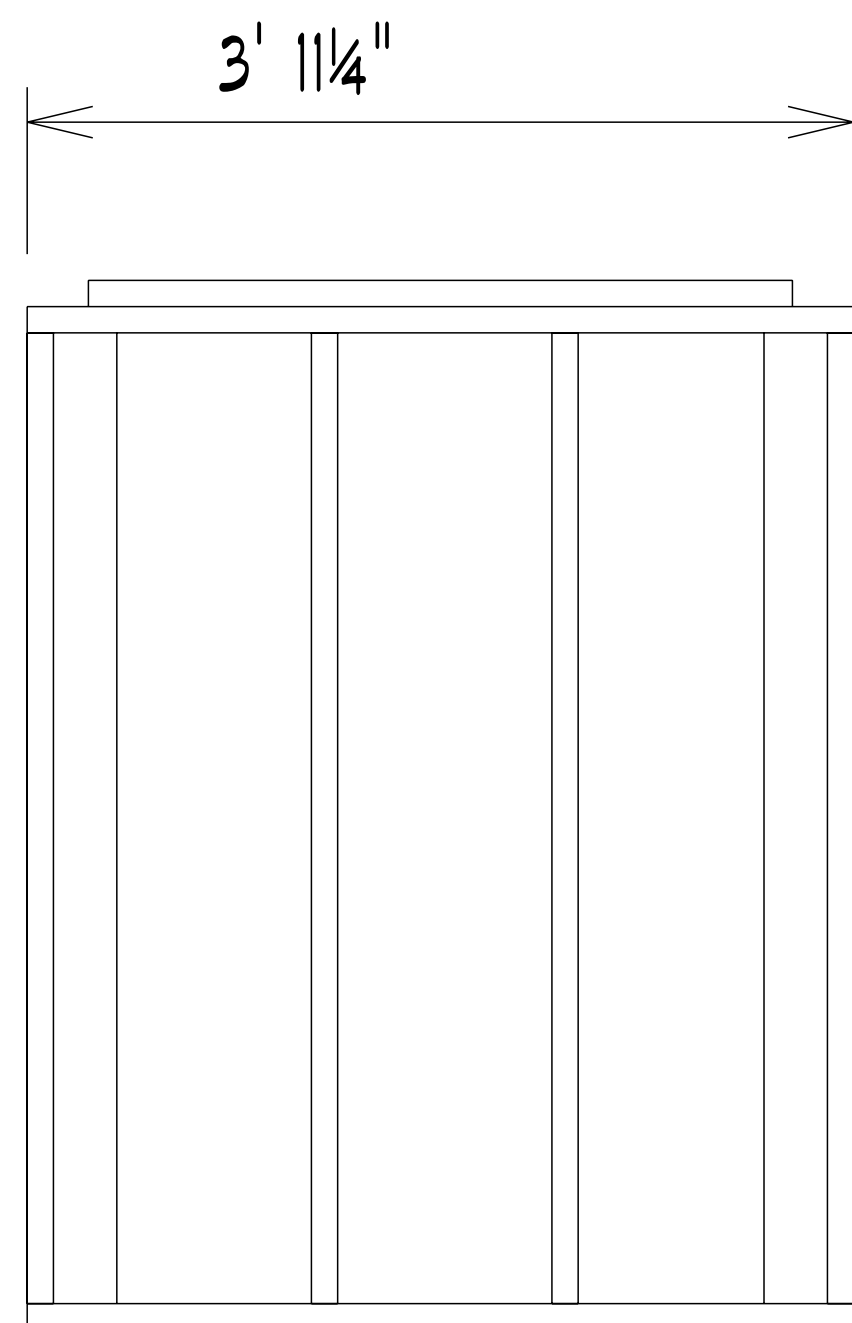
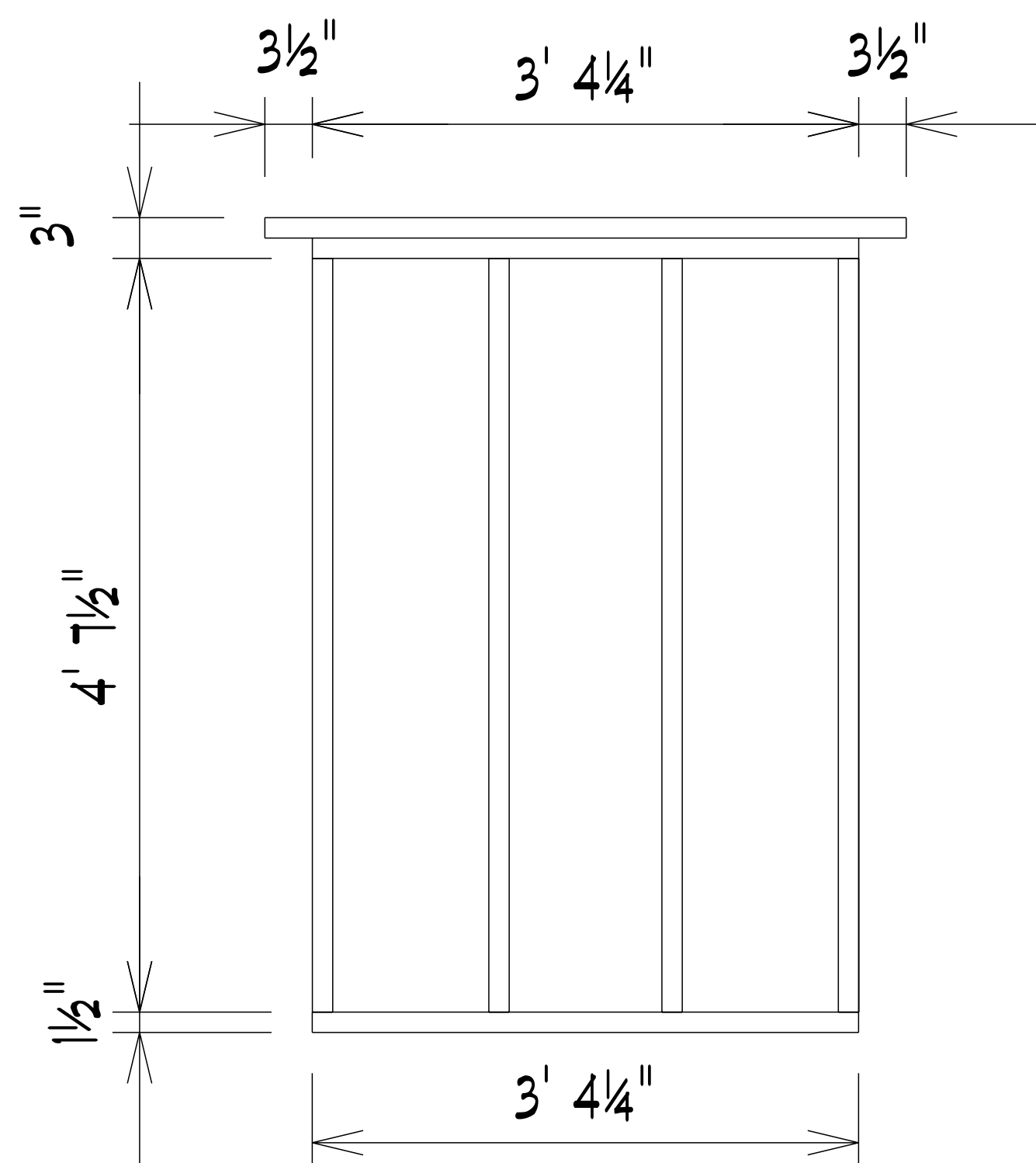
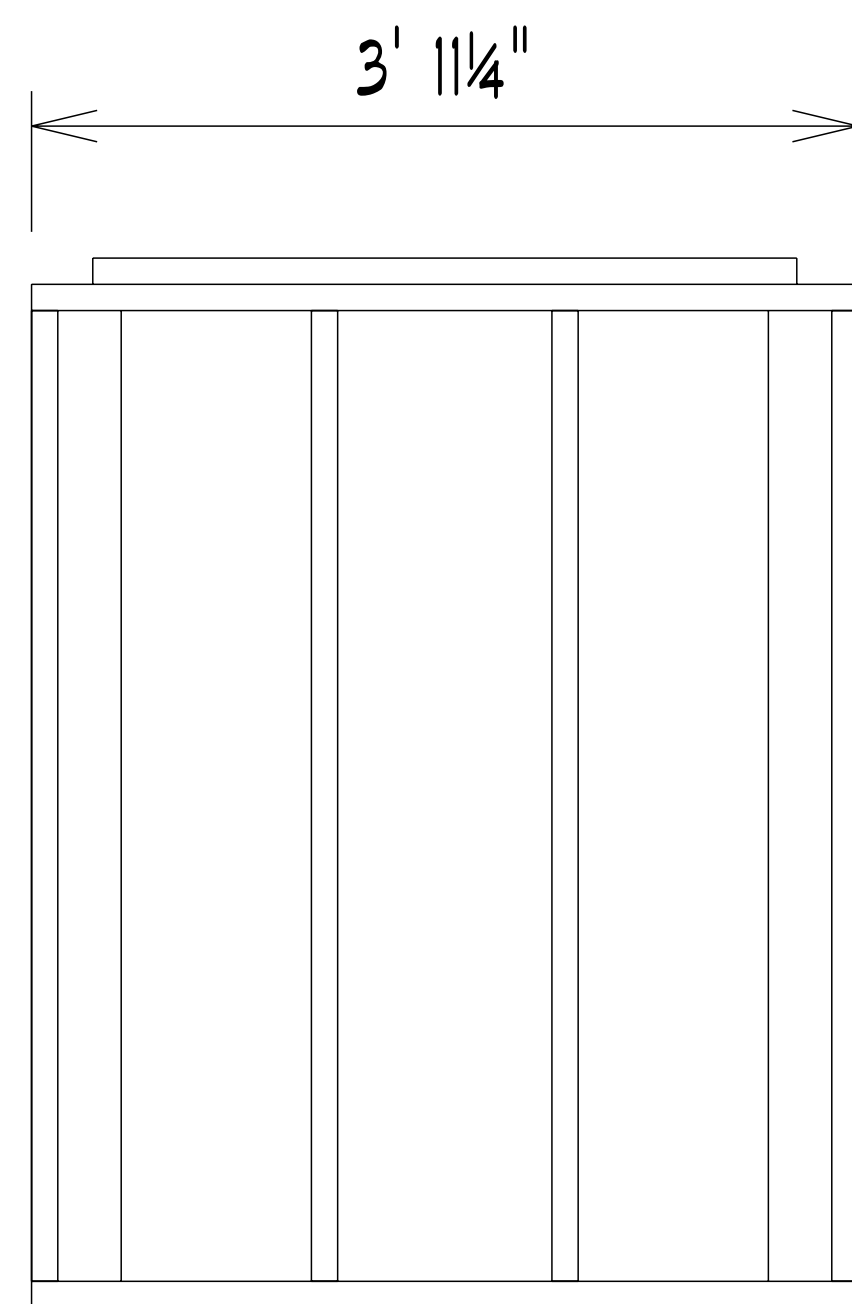
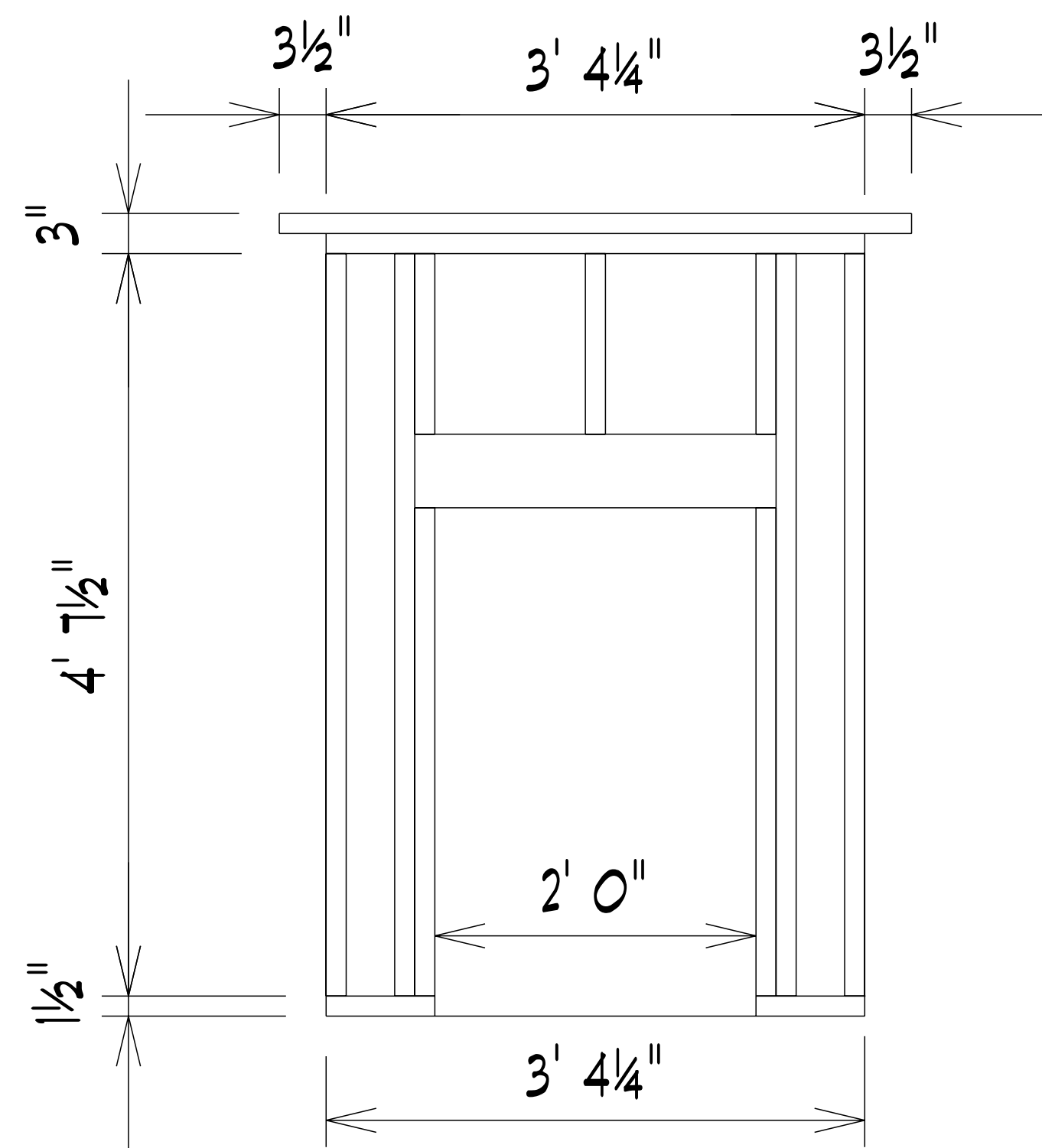
- 2x4 RAFTERS @ 16" O/C
- 7/16" OSB SHEATHING
- 1x6 FASCIA BOARD

FLOOR PLAN

1/2" = 1'0"

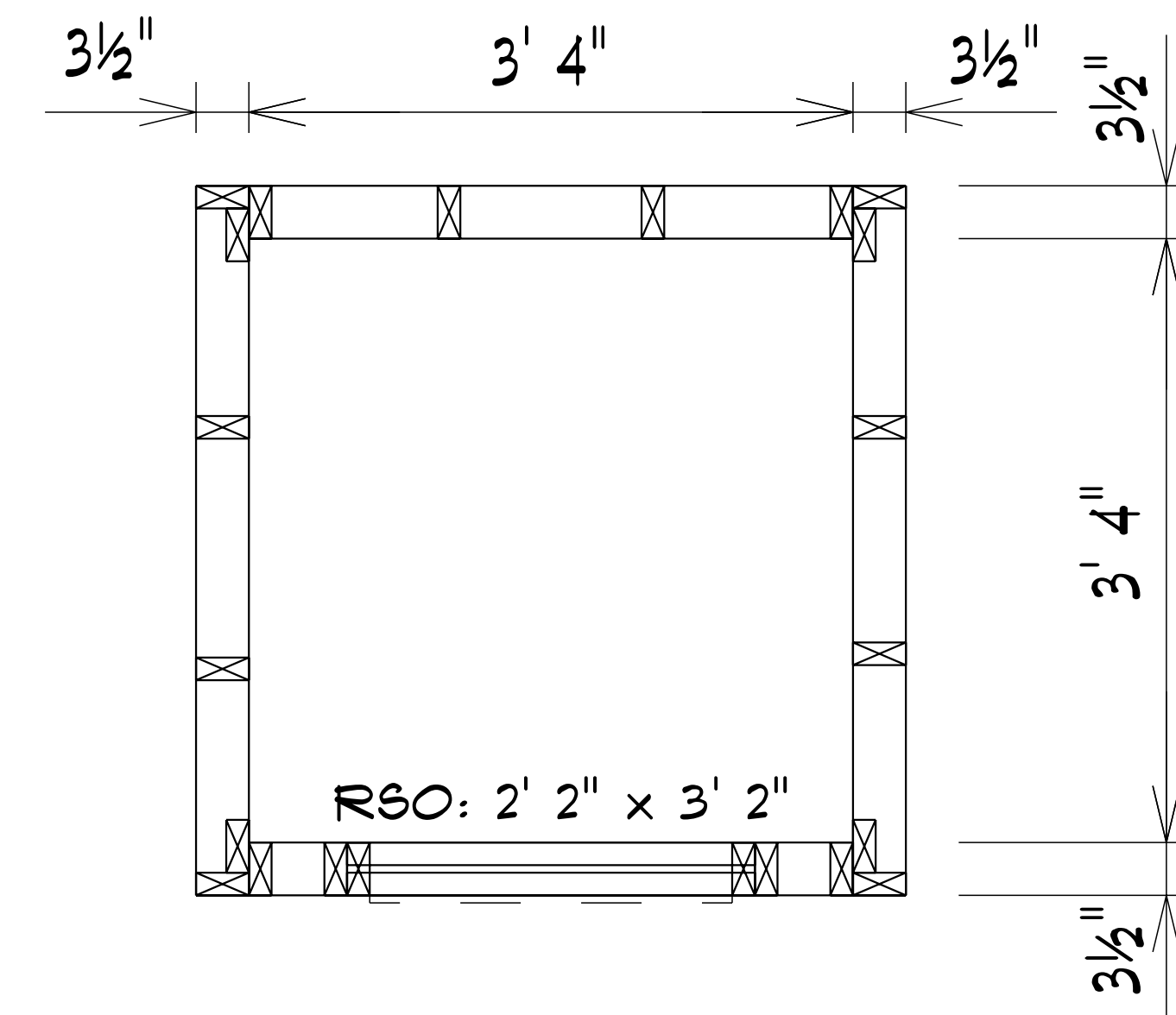
December 23, 2021 J.N.

01:42 PM



CONSTRUCTION NOTES

- WALLS:
- 2x4 STUDS @ 16" O/C
 - 2-2x6 LMITELS ABOVE OPENING
 - 2x4 BOTTOM PLATE
 - 2-2x4 TOP PLATE

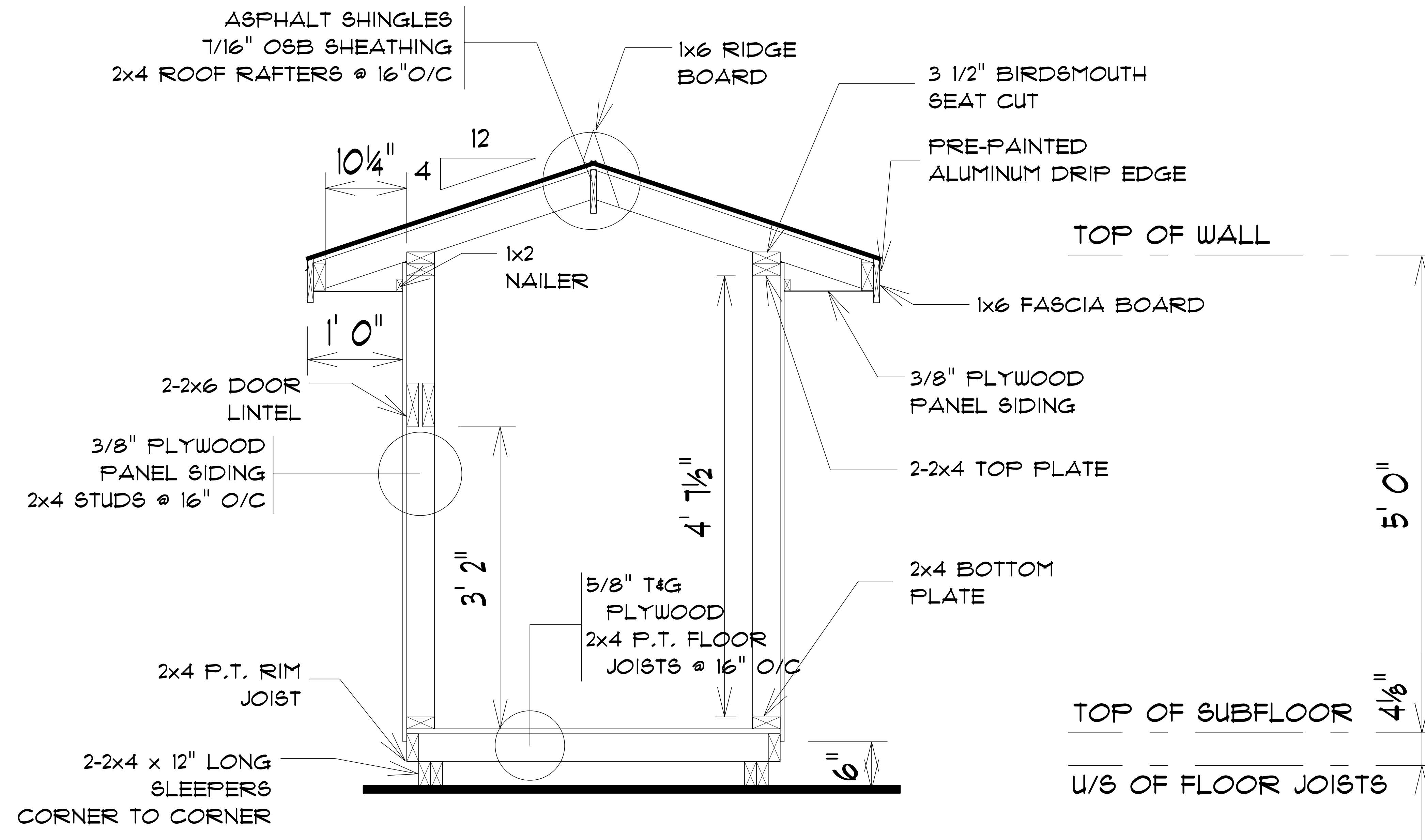


FRAMING PLAN 3/8" = 1'0"

December 23, 2021 J.N. 01:42 PM

FRAMING ELEVATIONS 3/8" = 1'0"

December 23, 2021 J.N. 01:42 PM



CROSS SECTION A-A 1/2" = 1'0"

December 23, 2021 J.N. 01:42 PM

PROVIDE 2x4 SOFFIT LADDER @ 24" O/C @ GABLE OVERHANGS FOR RAKE RAFTER SUPPORT