

4

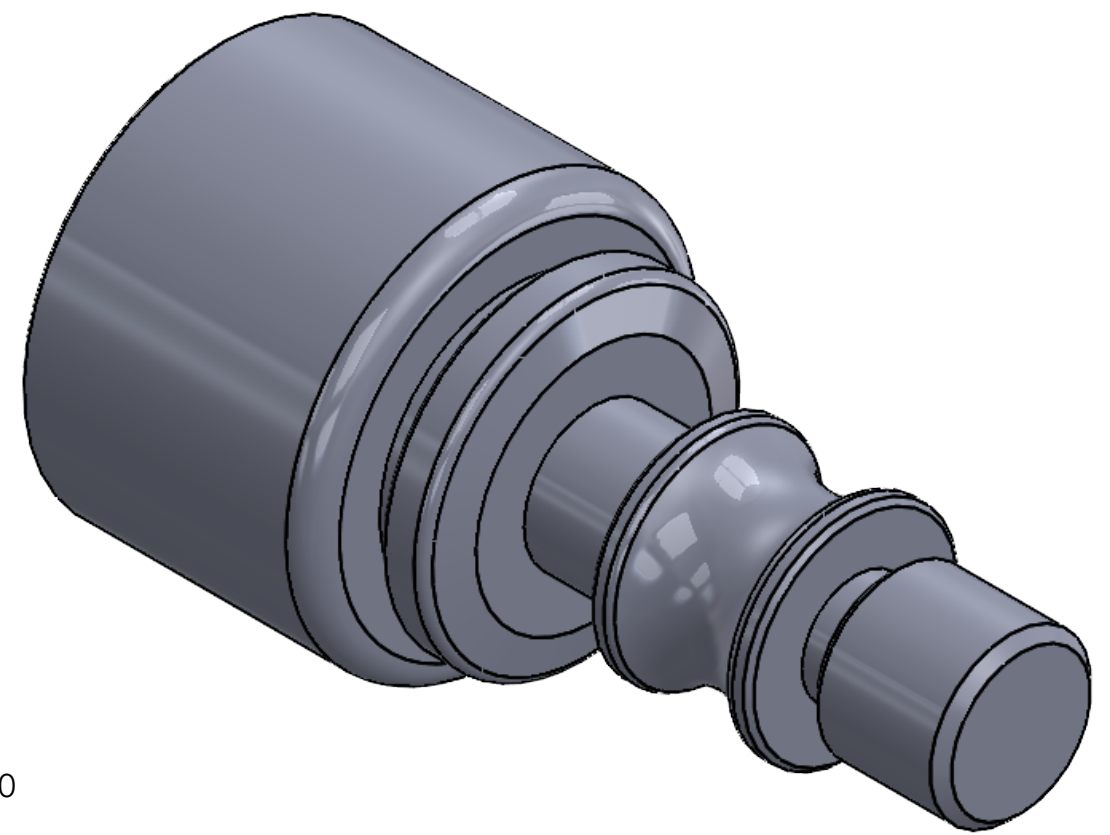
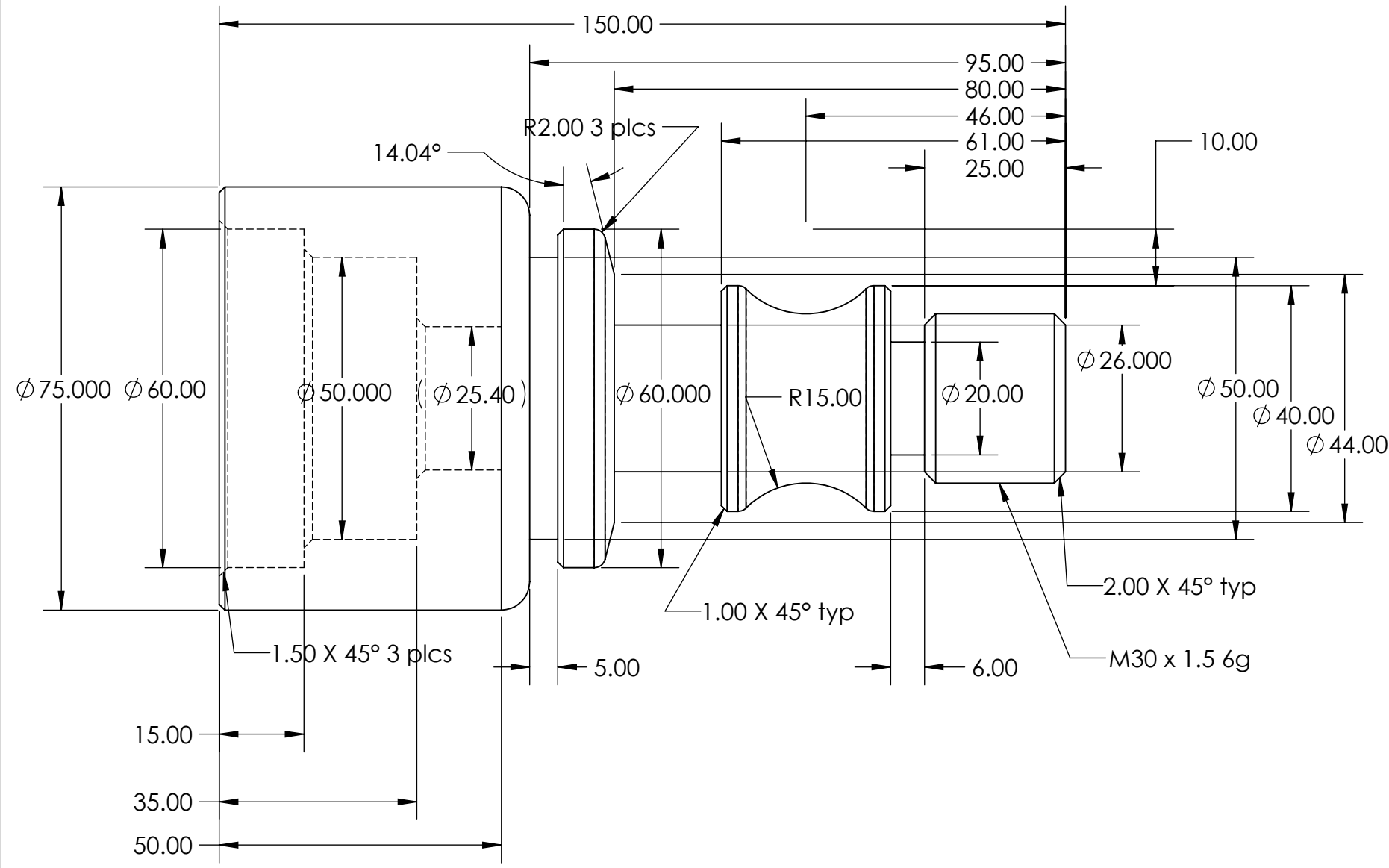
3

2

1

B

B




A

A

	MAX	MIN
M30 x 1.5 6g		
Major Diameter	29.968	29.732
Pitch Diameter	28.994	28.844

**PROPRIETARY AND CONFIDENTIAL**  
 THE INFORMATION CONTAINED IN THIS DRAWING IS THE SOLE PROPERTY OF <INSERT COMPANY NAME HERE>. ANY REPRODUCTION IN PART OR AS A WHOLE WITHOUT THE WRITTEN PERMISSION OF <INSERT COMPANY NAME HERE> IS PROHIBITED.

UNLESS OTHERWISE SPECIFIED:		NAME	DATE
DIMENSIONS ARE IN MM		DRAWN	JS 3/16/23
TOLERANCES:		CHECKED	
FRACTIONAL $\pm$		ENG APPR.	
ANGULAR: MACH $\pm$ BEND $\pm$		MFG APPR.	
ONE PLACE DECIMAL $\pm 0.1$		Q.A.	
TWO PLACE DECIMAL $\pm 0.05$		COMMENTS:	
THREE PLACE DECIMAL $\pm 0.025$			
INTERPRET GEOMETRIC TOLERANCING PER:			
MATERIAL			
CRS			
FINISH			
N7			
NEXT ASSY	USED ON		
APPLICATION			
DO NOT SCALE DRAWING			



SkillsCompétences  
Canada Ontario

SIZE	DWG. NO.	REV
<b>B</b>	Skills ON Lathe 2023	
SCALE: 1:1	WEIGHT:	SHEET 1 OF 1

4

3

2

1