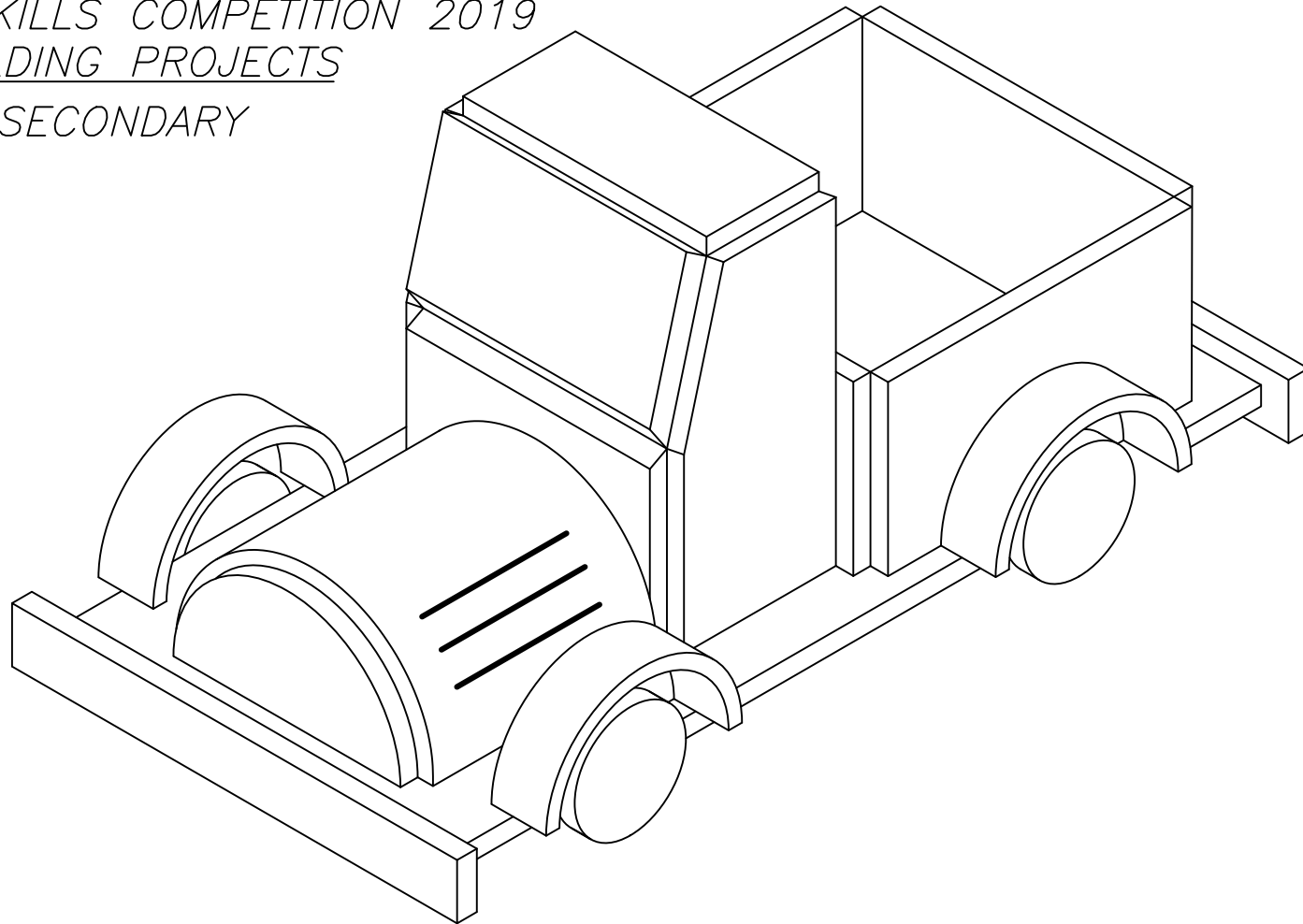


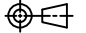
ONTARIO SKILLS COMPETITION 2019
WELDING PROJECTS
SECONDARY



DO NOT SCALE DRAWING



ALL DIMENSIONS IN MILLIMETRES

PART NAME: SKILLS ONTARIO – SECONDARY		
CHECKED BY: Josh Hyde	SCALE: NONE	
DRAWN BY: J.K. & R.D.	DATE: JAN. 1, 2019	DWG.NO.: 2019-OPS Projects