

A

B

C

D

E

F

A

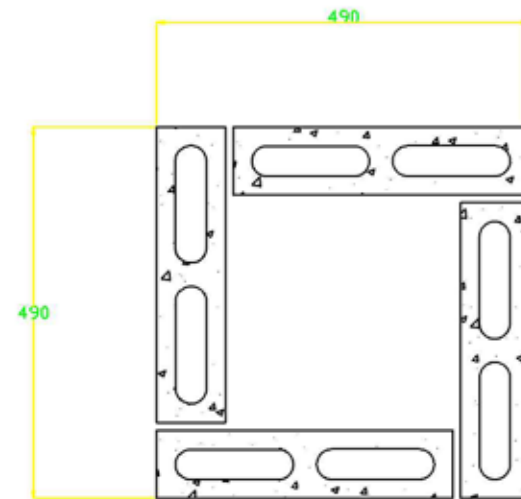
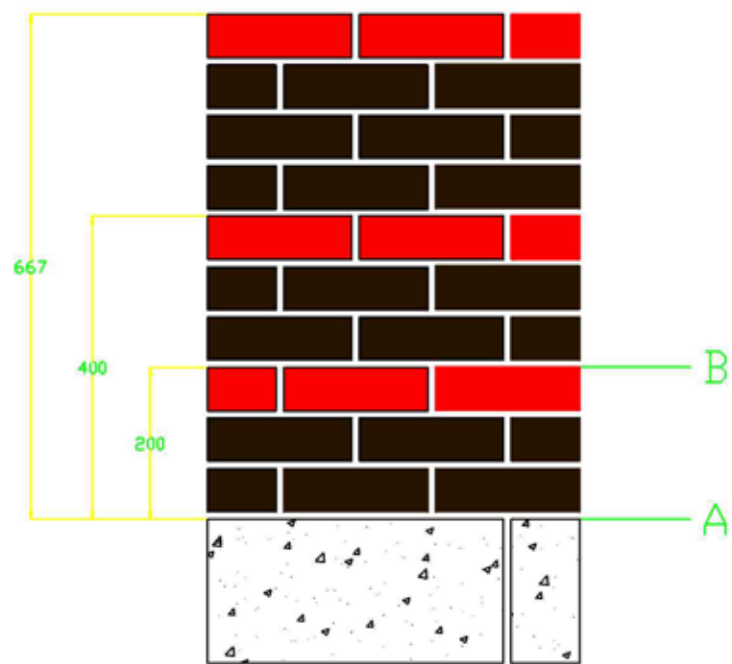
B

C

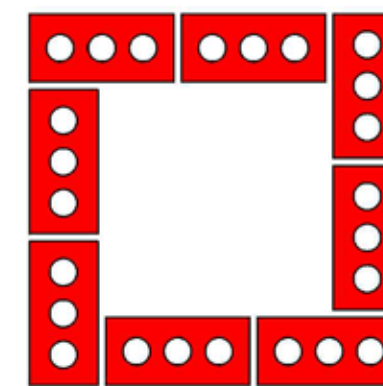
D

E

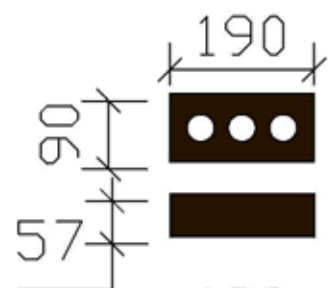
F



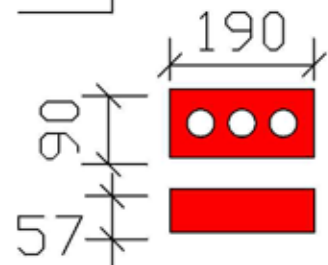
VIEW A / Vue A
BLOCK LAYOUT / plan de blocs



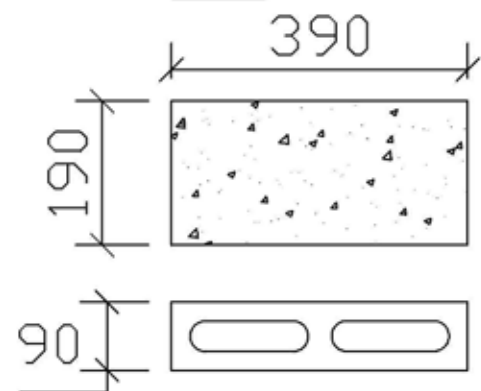
VIEW B / Vue B
BRICK 3RD COURSE
LAYOUT / brique 3e rang
du plan



Brick #1 / Brique no 1
--- ± 56 --- / Pieces / Pièces



Brick #2 / Brique no 2
--- ± 24 --- / Pieces / Pièces



--- ± 8 --- / Pieces / Pièces
Block to build project
and under mortar board
/ Bloc pour construire le projet et sous
la planche à mortier

Ontario Skills Competition 2021
Virtual competition
Secondary Competition
Ontario, Canada
May 4th 2021

Scale: NA	01/06/2021	Paper: 11x17	Comp: 20-BRICKLAYING
Designed & drawn: Rene Letolle			Rev: 01 Page: 1/1