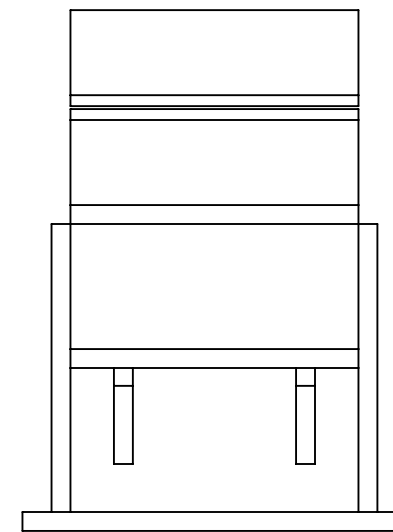
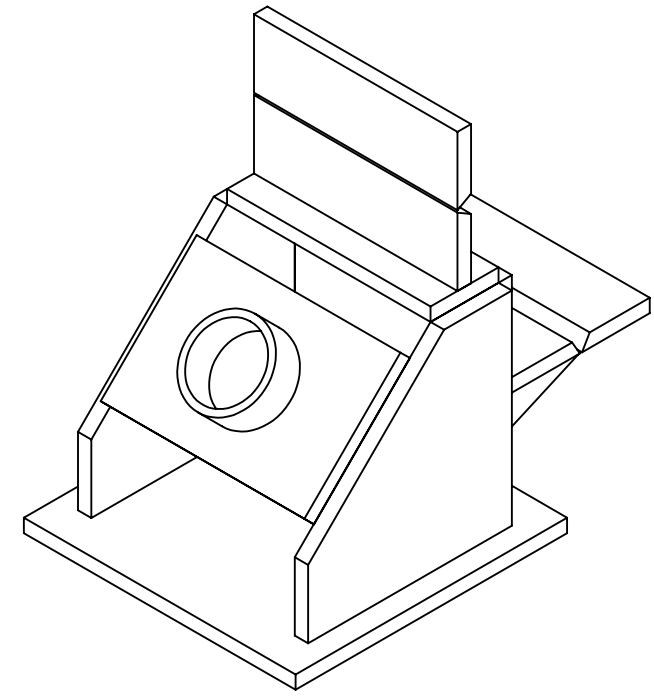
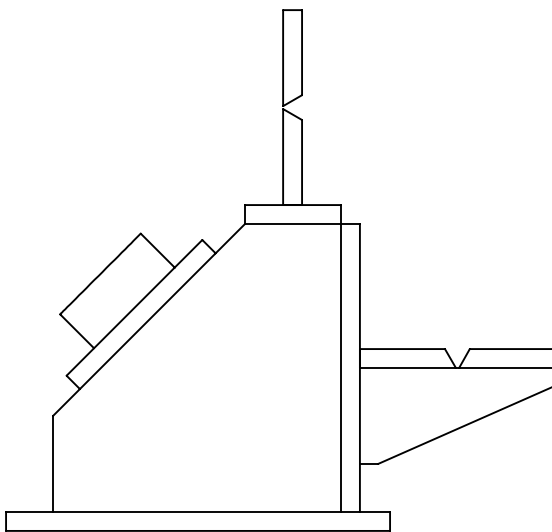
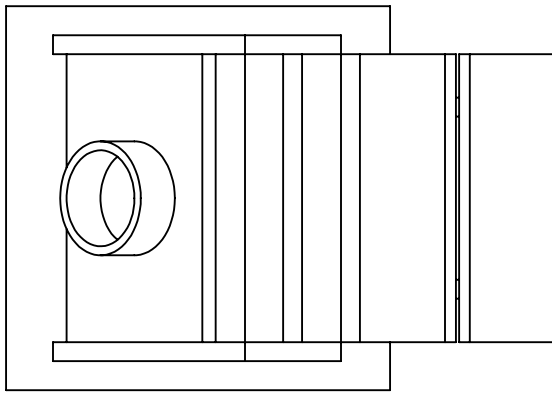
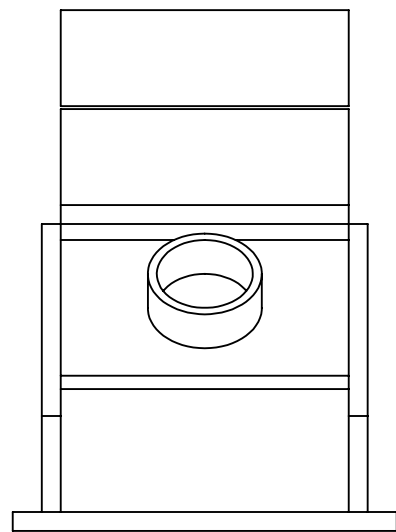

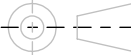


8 7 6 5 4 3 2 1

D  
C  
B  
A

D  
C  
B  
A



MATERIAL		Mild Steel		
CUSTOMER		Skills Canada		
<b>GENERAL SPECIFICATIONS</b> UNLESS OTHERWISE NOTED <b>&gt;&gt;BREAK ALL SHARP EDGES&lt;&lt;</b> <b>TOLERANCES:</b> Fractions ±1/16 .00 ±.030 .000 ±.010 Angles ±1° Finish 125 INTERPRET THIS DRAWING PER CURRENT VERSION OF ASME Y14 ENGINEERING DRAWING PRACTICE STANDARD		DRN	DATE	WEIGHT
 3RD ANGLE PROJECTION		SA	2019	lbs
		CHK	SCALE	NEXT ASS'Y
		PB	1:4	Provincial Skills Competition
		DESCRIPTION		
		Regional Skills Competition		
		DWG NO.		
		Skills Regional Assembly DWG		REV 0

8 7 6 5 4 3 2 1